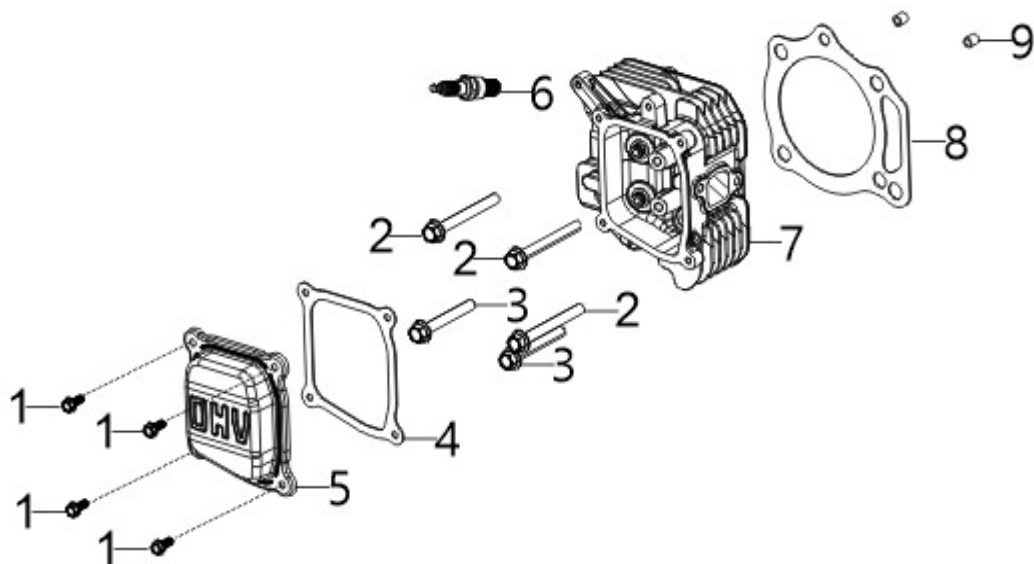
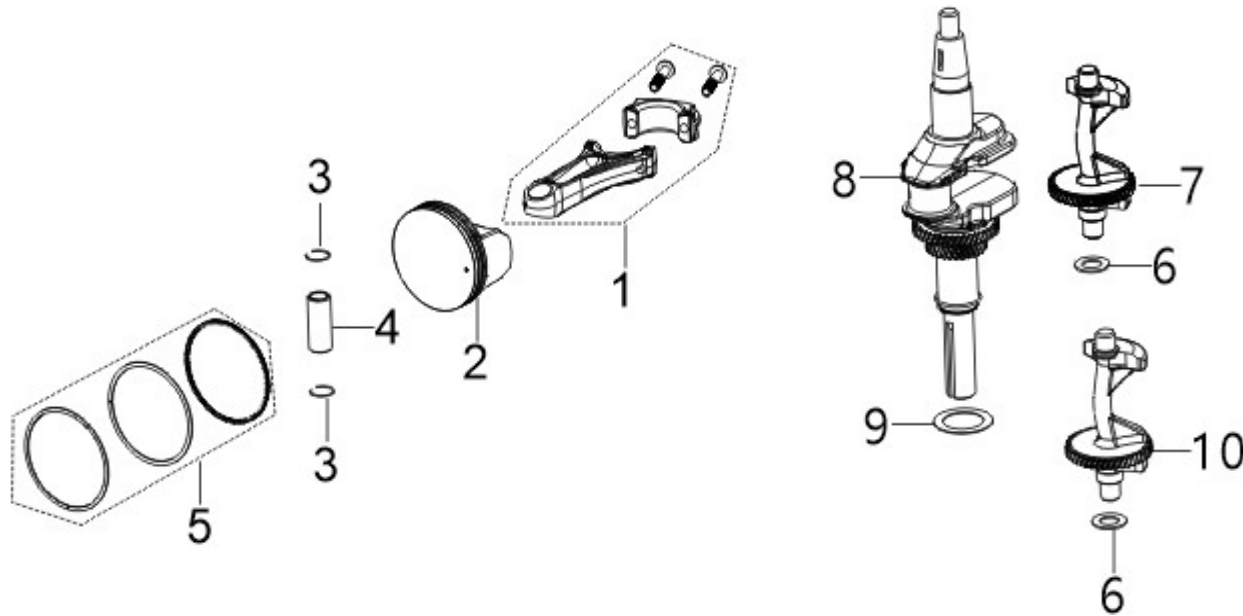


FIG.3 HEAD SUBASSEMBLY, CYLINDER / PLUG, SPARK 气缸头部件/火花塞 (E03)



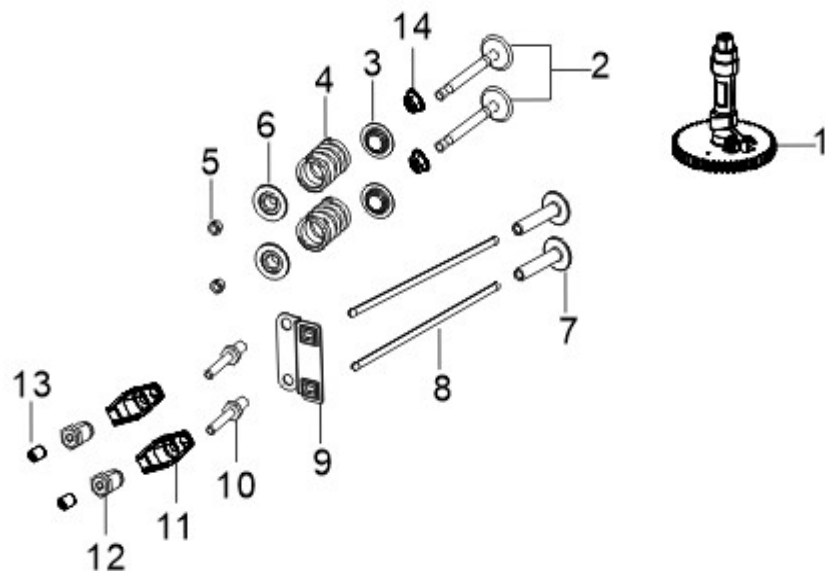
REF.NO. 序号	PART NO 物料代码	CHINESE 中文名	DESCRIPTION 英文名	Q'TY 数量	包装数	备注
E03-1	90007-0616-A1A0	六角法兰面螺栓	BOLT	4	1	
E03-2	12003-Z0N0110-00A0	气缸头螺栓	BOLT, CYLINDER HEAD	3	1	
E03-3	12003-Z0N0210-00A0	气缸头螺栓	BOLT, CYLINDER HEAD	2	1	
E03-4	12004-Z0N0110-00A0	气缸头盖密封垫	GASKET, CYLINDER HEAD COVER	1	1	
E03-5	12411-Z0N0110-00A0	气缸头盖	COVER, CYLINDER HEAD	1	1	
E03-6	30010-Z050110-00A0	火花塞	PLUG, SPARK	1	1	
E03-7	12140-Z0N0110-00A0	气缸头组合	HEAD SUBASSEMBLY, CYLINDER	1	1	
E03-8	12131-Z0N0110-00A0	气缸头密封垫	GASKET, CYLINDER HEAD	1	1	
E03-9	90502-1220-00A0	定位销	PIN	2	1	

FIG.4 ROD, CRANKSHAFT CONNETING 曲柄连杆组件(E04)



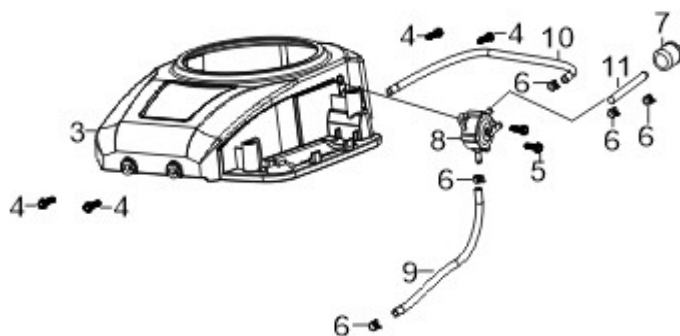
REF.NO. 序号	PART NO 物料代码	CHINESE 中文名	DESCRIPTION 英文名	Q'TY 数量	包装数	备注
E04-1	13010-Z0N0110-00A0	连杆	ROD, CONNECTING	1	1	
E04-2	13111-Z0N0110-00A0	活塞	PISTON	1	1	
E04-3	13122-Z100110-00A0	活塞销卡圈	CLIP, PISTON PIN	2	1	
E04-4	13121-Z0N0110-00A0	活塞销	PIN, PISTON	1	1	
E04-5	13200-Z0N0110-00A0	活塞环部件	RING ASSY, PISTON	1	1	
E04-6	90408-Z0N0110-00A0	平垫圈-A级	WASHER, FLAT	2	1	
E04-7	13401-Z0N0110-00A0	平衡轴	BALANCING SHAFT	1	1	
E04-8	13300-Z0N0110-00A0	曲轴部件	CRANKSHAFT ASSY.	1	1	
E04-9	90408-Z0N0210-00A0	平垫圈-A级	WASHER, FLAT	1	1	
E04-10	13401-Z0N0210-00A0	平衡轴	BALANCING SHAFT	1	1	

FIG.5 TRAIN,VALVE / CAMSHAFT SUBASSEMBLY 配气机构组件/凸轮轴 (E06)



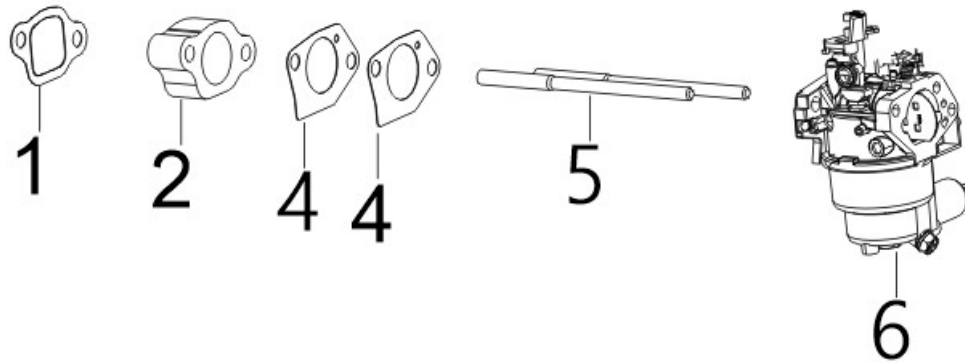
REF.NO. 序号	PART NO 物料代码	CHINESE 中文名	DESCRIPTION 英文名	Q'TY 数量	包装数	备注
E06-1	14200-Z0N0110-00A0	凸轮轴部件	CAMSHAFT ASSY.	1	1	
E06-2	12110-Z0N0110-00A0	气门组件	VALVES SET	1	1	
E06-3	12105-Z130110-00A0	气门弹簧座圈	RETAINER, VALVE SPRING	2	1	
E06-4	12103-Z080110-00A0	气门弹簧	SPRING, VALVE	2	1	
E06-5	12109-Z400110-00A0	气门锁夹	CLAMP, VALVE LOCK	4	1	
E06-6	12112-Z400110-00A0	气门弹簧座	SEAT, VALVE SPRING	2	1	
E06-7	14081-Z0N0110-00A0	气门挺柱	TAPPET, VALVE	2	1	
E06-8	14071-Z0N0110-00A0	气门挺杆	LIFTER, VALVE	2	1	
E06-9	14090-Z0N0110-00A0	挺杆限位板组合	PLATE SUBASSEMBLY, LIFTER STOPPER	1	1	
E06-10	14313-Z0N0110-00A0	摇臂轴螺栓	BOLT, ROCKER SHAFT	2	1	
E06-11	14311-Z0N0110-00A0	气门摇臂	ROCKER, VALVE	2	1	
E06-12	14314-Z010110-00A0	气门调节螺母	NUT, VALVE ADJUSTING	2	1	
E06-13	14312-Z010110-00A0	气门锁紧螺母	NUT, VALVE LOCK	2	1	
E06-14	12101-Z080110-00A0	挡油罩	GUIDE, SEAL	2	1	

FIG.8 SHROUD / SHIELD, LOWER 缸体导风罩/下护罩 (E08)



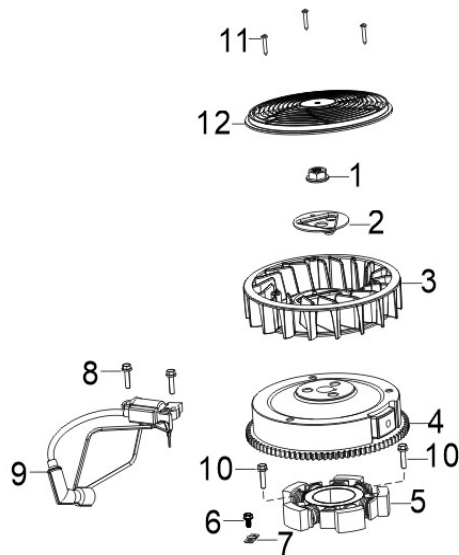
REF.NO. 序号	PART NO 物料代码	CHINESE 中文名	DESCRIPTION 英文名	Q'TY 数量	包装数	备注
E08-3	80001-Z0N0110-Q2A0	发动机外罩	HOUSING, ENGINE	1	1	
E08-4	90007-0625-A1A0	六角法兰面螺栓	BOLT	4	1	
E08-5	90007-0620-A1A0	六角法兰面螺栓	BOLT	2	1	
E08-6	90685-1000-Z4A0	管夹	CLAMP	5	1	
E08-7	16510-Z120110-00A0	燃油过滤器	STRAINER, FUEL	1	1	
E08-8	16300-Z130120-00A0	汽油泵部件	PUMP ASSY, GASOLINE	1	1	
E08-9	90686-Z0N0210-00A0	油管	TUBE, FUEL	1	1	
E08-10	90686-Z0N0310-00A0	油管	TUBE, FUEL	1	1	
E08-11	90686-Z0N0110-00A0	油管	TUBE, FUEL	1	1	

FIG.9 CARBURETOR ASSY. 化油器部件 (E09)



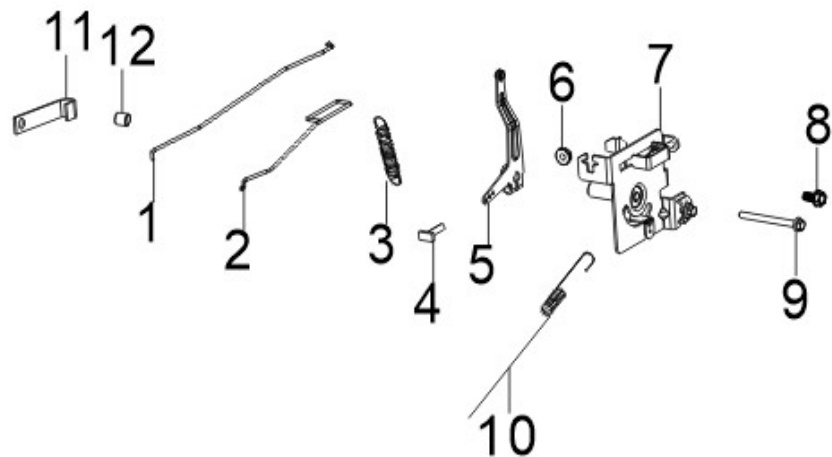
REF.NO. 序号	PART NO 物料代码	CHINESE 中文名	DESCRIPTION 英文名	Q'TY 数量	包装数	备注
E09-1	16004-Z0N0110-00A0	隔热板密封垫	GASKET, INSULATOR PLATE	1	1	
E09-2	16003-Z0N0110-00A0	化油器隔热板	PLATE, CARBURETOR INSULATOR	1	1	
E09-4	16001-Z100110-00A0	化油器密封垫	GASKET, CARBURETOR	2	1	
E09-5	90207-Z0N0110-00A0	双头螺柱	BOLT	2	1	
E09-6	16100-Z0N0110-00A9	化油器部件	CARBURETOR ASSY.	1	1	

FIG.10 FLYWHEEL / IMPELLER / STARTER PULLEY / IGNITION COIL 飞轮/叶轮/启动杯/点火线圈 (E10)



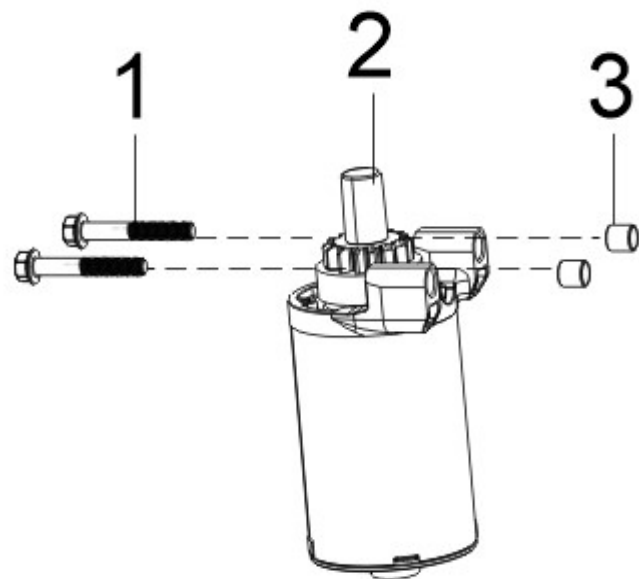
REF.NO. 序号	PART NO 物料代码	CHINESE 中文名	DESCRIPTION 英文名	Q'TY 数量	包装数	备注
E10-1	13501-Z080110-00A0	飞轮螺母	NUT, FLYWHEEL	1	1	
E10-2	19356-Z0N0110-00A0	叶轮垫片	GASKET, IMPELLER	1	1	
E10-3	19352-Z0N0110-00A0	叶轮	IMPELLER	1	1	
E10-4	13510-Z0N0110-00A0	飞轮组合	FLYWHEEL SUBASSEMBLY	1	1	
E10-5	30140-Z0N0110-00A0	充电线圈组合	COIL SUBASSEMBLY, CHARGE	1	1	
E10-6	90007-0612-A1A0	六角法兰面螺栓	BOLT	1	1	
E10-7	30001-Z020110-00A0	充电线圈压板	CLAMP, CHARGE COIL	1	1	
E10-8	90007-0625-A1A0	六角法兰面螺栓	BOLT	2	1	
E10-9	30400-Z0N0110-00A0	点火线圈	COIL, IGNITION	1	1	
E10-10	90007-0630-A1A0	六角法兰面螺栓	BOLT	2	1	
E10-11	90107-4225-51A0	十字槽盘头自攻螺钉	SCREW	3	1	
E10-12	19302-Z0N0110-Q2A0	风扇罩	SHIELD, FAN	1	1	

FIG.11 CONTROL ASSY, THROTTLE 油门操纵部件 (E11)



REF.NO. 序号	PART NO 物料代码	CHINESE 中文名	DESCRIPTION 英文名	Q'TY 数量	包装数	备注
E11-1	16062-Z0N0110-00A0	调速拉杆	ROD, GOVERNEOR	1	1	
E11-2	16123-Z0N0110-00A0	阻风门拉杆	ROD, CHOKE	1	1	
E11-3	16063-Z0N0110-00A0	调速弹簧	SPRING, GOVERNOR	1	1	
E11-4	16072-Z010110-00A0	调速支架固定螺栓	BOLT, GOVERNOR SUPPORT	1	1	
E11-5	16070-Z0N0110-00A0	调速支架组合	SUPPORT SUBASSEMBLY, GOVERNOR	1	1	
E11-6	90305-0600-31A0	六角法兰面螺母	NUT	1	1	
E11-7	16520-Z0N0110-00A0	油门操纵组合	CONTROL ASSY, THROTTLE	1	1	
E11-8	90007-0612-A1A0	六角法兰面螺栓	BOLT	1	1	
E11-9	90007-0655-A1A0	六角法兰面螺栓	BOLT	1	1	
E11-10	16012-Z0N0110-00A0	节气门复位弹簧	SPRING, THROTTLE VALVE RETURNING	1	1	
E11-11	90684-Z030120-00A0	线夹	CLIP	1	1	
E11-12	90683-Z250210-00A0	衬套	BUSH	1	1	

FIG.12 起动电机 (E12)



REF.NO. 序号	PART NO 物料代码	CHINESE 中文名	DESCRIPTION 英文名	Q'TY 数量	包装数	备注
E12-1	12003-Z320110-00A0	气缸头螺栓	BOLT, CYLINDER HEAD	2	1	
E12-2	30300-Z0N0110-00A0	起动电机部件	MOTOR ASSY,STARTING	1	1	
E12-3	90502-1014-00A0	定位销	PIN	2	1	