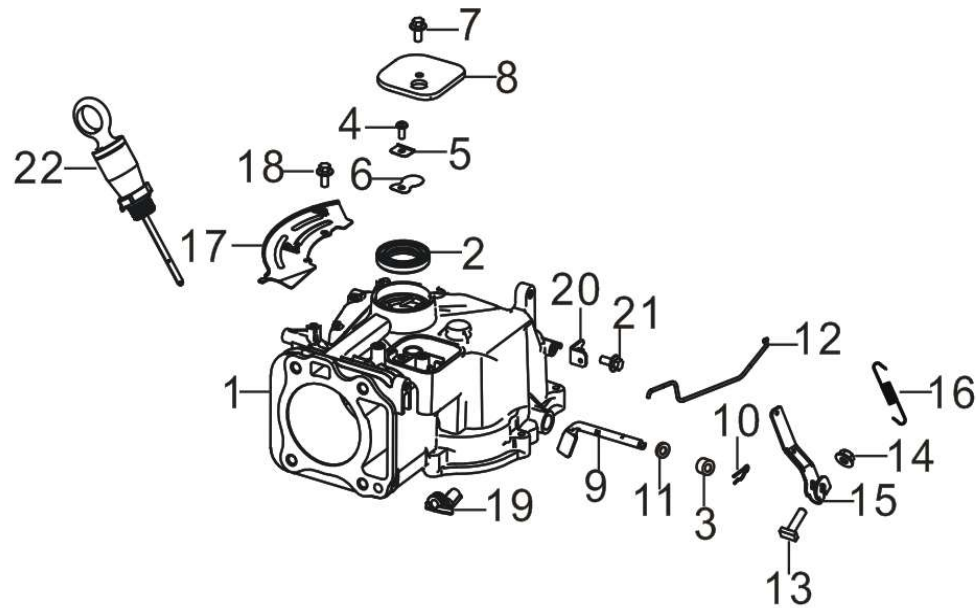


RV170-S 图册

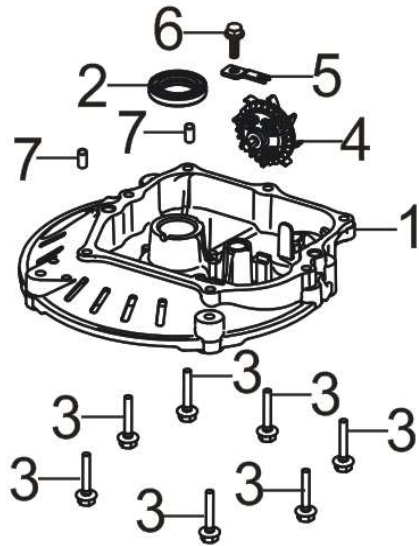
FIG.1 CRANKCASE. / GEAR ASSY, GOVERNOR. 曲轴箱体部件 + 调速齿轮部件(E01)



REF.NO. 序号	PART NO 物料代码	CHINESE 中文名	DESCRIPTION 英文名	Q'TY 数量
E01-1	11310-Z3C0110-00A1	曲轴箱体组合	CRANKCASE SUBASSEMBLY.	1
E01-2	90682-Z240110-00A0	油封	SEAL, OIL	1
E01-3	90682-Z030210-00A0	油封	SEAL, OIL	1
E01-4	90103-0410-51A0	十字槽盘头螺钉	SCREW	1
E01-5	11321-Z2P0110-00A0	呼吸片	PIECE, BREATH	1
E01-6	11337-Z2P0110-00A0	呼吸片限位板	POSITION FIXING PLATE, PIECE, BREATH	1
E01-7	90007-0512-A1A0	六角法兰面螺栓	BOLT	1
E01-8	11333-Z2P0110-00A0	呼吸槽盖板	PLATE, BREATH GROOVE COVER	1

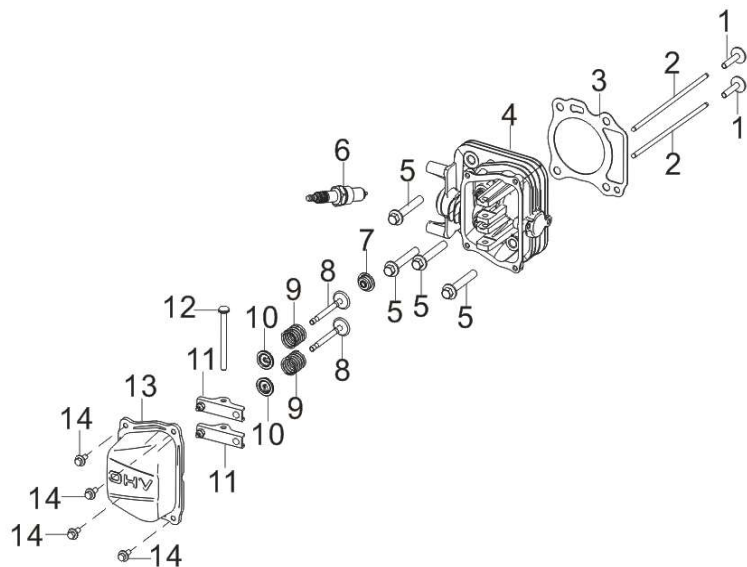
E01-9	16061-Z2P0110-00A0	调速臂	ARM, GOVERNOR	1
E01-10	90501-Z010110-00A0	开口销	PIN	1
E01-11	90412-Z870210-00A0	平垫圈	WASHER, FLAT	1
E01-12	16062-Z2P0110-00A0	调速拉杆	ROD, GOVERNEOR	1
E01-13	16072-Z010110-00A0	调速支架固定螺栓	BOLT, GOVERNOR SUPPORT	1
E01-14	90305-0600-31A0	六角法兰面螺母	NUT	1
E01-15	16070-Z2P0110-00A0	调速支架组合	SUPPORT SUBASSEMBLY, GOVERNOR	1
E01-16	16063-Z2P0110-00A0	调速弹簧	SPRING, GOVERNOR	1
E01-17	19308-Z2P0110-00A0	箱体左侧护罩	SHIELD, CRANKCASE SIDE	1
E01-18	90007-0512-A1A0	六角法兰面螺栓	BOLT	1
E01-19	11340-Z2P0110-00A0	回油块组合	OIL RETURN PIECE	1
E01-20	16561-Z2P0110-00A0	油门操纵底板	PLATE SUBASSEMBLY, THROTTLE CONTROL BOTTOM	1
E01-21	90007-0512-A1A0	六角法兰面螺栓	BOLT	1
E01-22	15010-Z2P0110-Q5A0	机油尺组合	DIPSTICK SUBASSEMBLY, OIL	1

FIG.2 COVER SUBASSEMBLY, CRANKCASE 曲轴箱盖部件(E02)



REF.NO. 序号	PART NO 物料代码	CHINESE 中文名	DESCRIPTION 英文名	Q'TY 数量
E02-1	11411-Z2P0110-00A0	曲轴箱盖	COVER, CRANKCASE	1
E02-2	90682-Z030320-00A0	油封	SEAL, OIL	1
E02-3	90001-0630-01A0	六角法兰面螺栓	BOLT	7
E02-4	16400-Z2P0111-00A0	调速齿轮部件	GEAR ASSY, GOVERNOR	1
E02-5	16013-Z030120-00A0	调速芯轴压板	PLATE, GOVERNOR SPINDLE COMPRESSION	1
E02-6	90001-0614-01A0	六角法兰面螺栓	BOLT	1
E02-7	90502-0812-00A0	定位销	PIN	2

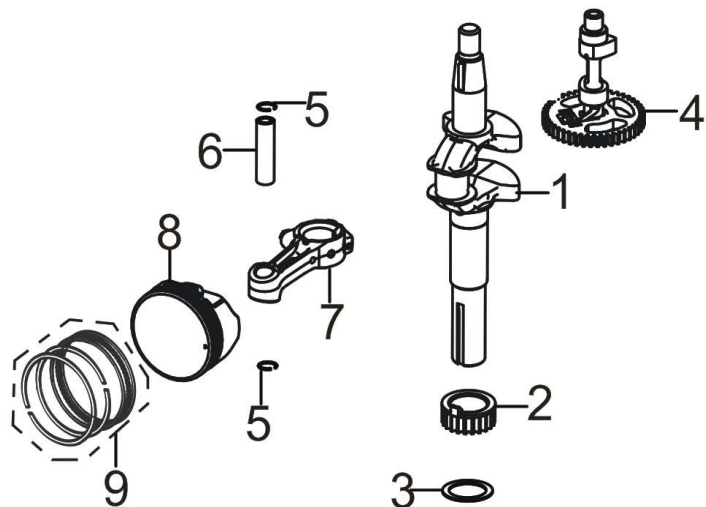
FIG.3 HEAD SUBASSEMBLY, CYLINDER / PLUG, SPARK 气缸头部件/火花塞 (E03)



REF.NO. 序号	PART NO 物料代码	CHINESE 中文名	DESCRIPTION 英文名	Q'TY 数量
E03-1	14081-Z2P0110-00A0	气门挺柱	TAPPET, VALVE	2
E03-2	14071-Z2P0110-00A0	气门挺杆	LIFTER, VALVE	2
E03-3	12131-Z3C0110-00A0	气缸头密封垫	GASKET, CYLINDER HEAD	1
E03-4	12140-Z3C0110-00A0	气缸头组合	HEAD SUBASSEMBLY, CYLINDER	1
E03-5	90001-0850-01A0	六角法兰面螺栓	BOLT	4
E03-6	30010-Z120110-00A0	火花塞	PLUG, SPARK	1
E03-7	12101-Z810210-00A0	挡油罩	GUIDE, SEAL	1
E03-8	12110-Z3C0110-00A0	气门组件	VALVES SET	2
E03-9	12103-Z030110-00A0	气门弹簧	SPRING, VALVE	2
E03-10	12112-Z010110-00A0	气门弹簧座	SEAT, VALVE SPRING	2
E03-11	14310-Z2P0110-00A0	气门摇臂组合	ROCKER SUBASSEMBLY, VALVE	2
E03-12	14330-Z2P0110-00A0	气门摇臂轴	SHAFT, VALVE ROCKER	1

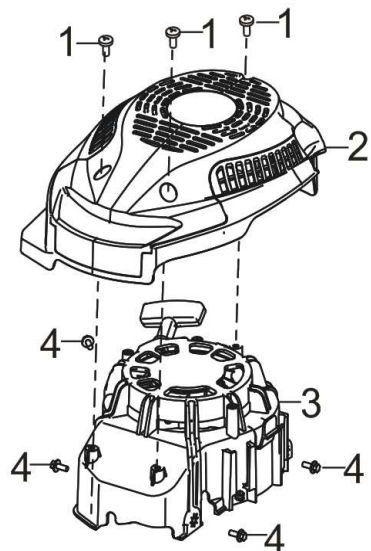
E03-13	12411-Z2P0110-00A0	气缸头盖	COVER, CYLINDER HEAD	1
E03-14	90007-0512-A1A0	六角法兰面螺栓	BOLT	4

FIG.4 ROD,CRANKSHAFT CONNETING 曲柄连杆组件(E04)



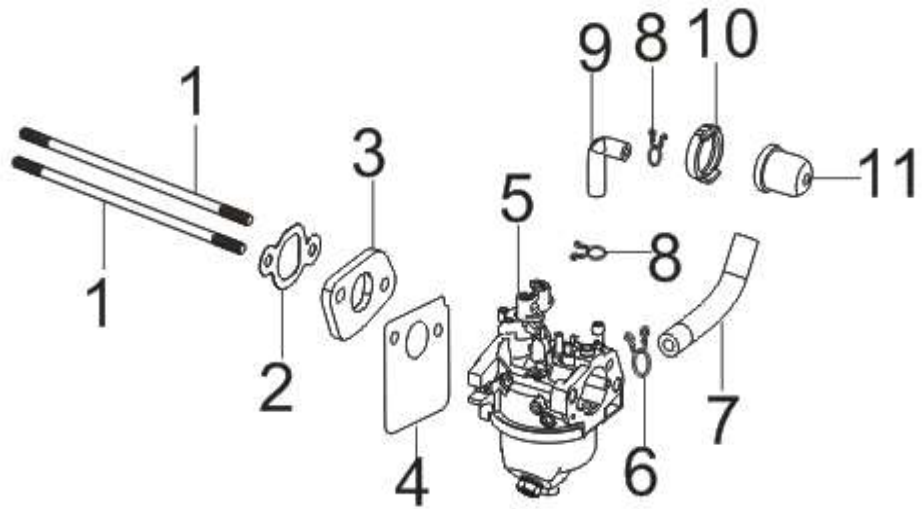
REF.NO. 序号	PART NO 物料代码	CHINESE 中文名	DESCRIPTION 英文名	Q'TY 数量
E04-1	13300-Z3C0110-00A0	曲轴部件	CRANKSHAFT ASSY.	1
E04-2	14014-Z2P0210-00A0	正时主动齿轮	GEAR, TIMING DRIVE	1
E04-3	90408-Z030210-00A0	平垫圈	WASHER, FLAT	1
E04-4	14200-Z2P0111-00A0	凸轮轴部件	CAMSHAFT ASSY.	1
E04-5	13122-Z240110-00A0	活塞销卡圈	CLIP, PISTON PIN	2
E04-6	13121-Z240110-00A0	活塞销	PIN, PISTON	1
E04-7	13010-Z2P0110-00A0	连杆	ROD, CONNECTING	1
E04-8	13111-Z3C0110-00A0	活塞	PISTON	1
E04-9	13200-Z870110-00A0	活塞环部件	RING ASSY, PISTON	1

FIG.5 STARTER,RECOIL 手起动组件 (E05)



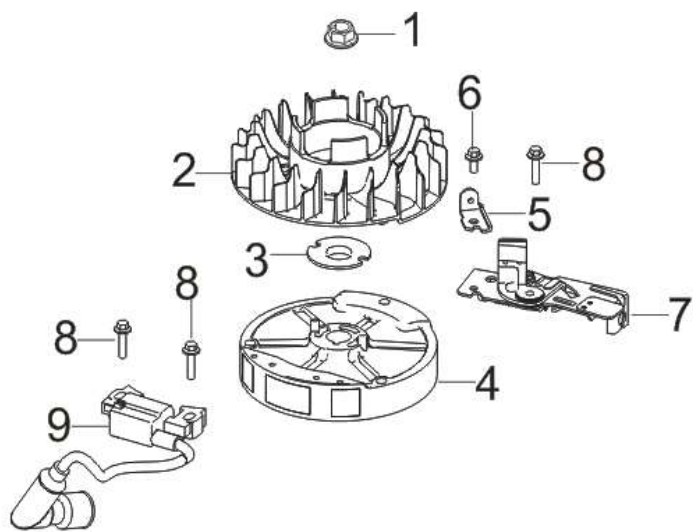
REF.NO. 序号	PART NO 物料代码	CHINESE 中文名	DESCRIPTION 英文名	Q'TY 数量
E05-1	90107-0516-01A0	十字槽盘头自攻螺钉	SCREW	3
E05-2	80001-Z2P0110-SKA0	发动机外罩	HOUSING, ENGINE	1
E05-3	28200-Z2P0111-Q2A0	手起动部件	STARTER ASSY, RECOIL	1
E05-4	90007-0520-A1A0	六角法兰面螺栓	BOLT	4

FIG.6 CARBURETOR ASSY. 化油器部件 (E06)



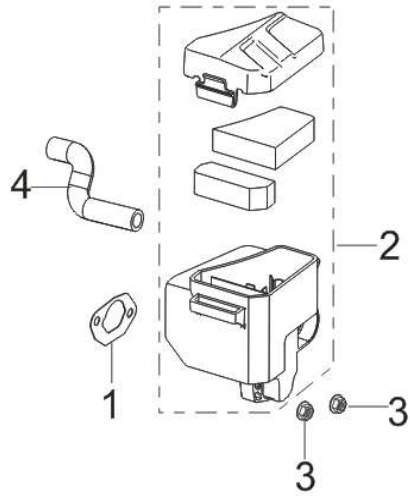
REF.NO. 序号	PART NO 物料代码	CHINESE 中文名	DESCRIPTION 英文名	Q'TY 数量
E06-1	90204-Z010210-01A0	双头螺柱	BOLT	1
E06-2	17002-Z2P0110-00A0	进气口密封垫	GASKET, INLET	1
E06-3	16003-Z2P0110-00A0	化油器隔热板	PLATE, CARBURETOR INSULATOR	1
E06-4	16004-Z2P0110-00A0	隔热板密封垫	GASKET, INSULATOR PLATE	1
E06-5	16100-Z3C0210-00A0	化油器部件	CARBURETOR ASSY.	1
E06-6	90685-1000-01A0	管夹	CLAMP	1
E06-7	90686-Z2P0110-00A0	油管	TUBE, FUEL	1
E06-8	90685-0700-01A0	管夹	CLAMP	2
E06-9	16211-Z2P0110-00A0	起动加浓阀管	TUBE, STARTING RICHED VALVE	1
E06-10	16212-Z2P0110-00A0	起动加浓阀座	SEAT, STARTING RICHED VALVE	1
E06-11	16213-Z2P0110-00A0	起动加浓阀体	VALVE BODY, STARTING RICHED	1

FIG.7 FLYWHEEL / IMPELLER / STARTER PULLEY / IGNITION COIL 飞轮/叶轮



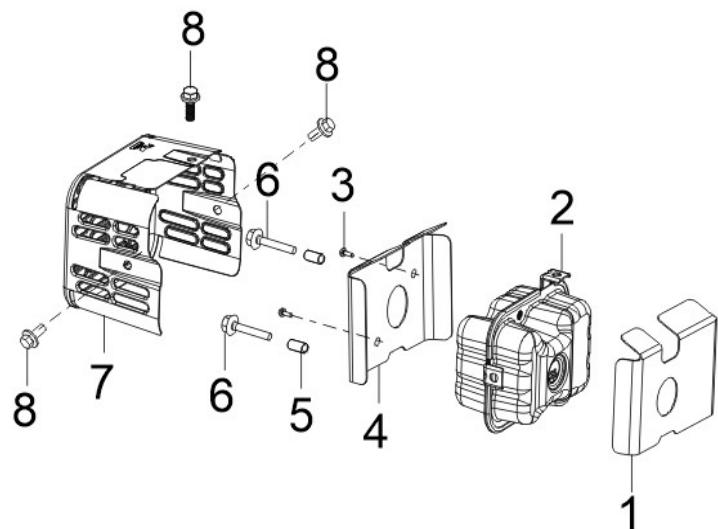
REF.NO. 序号	PART NO 物料代码	CHINESE 中文名	DESCRIPTION 英文名	Q'TY 数量
E10-1	13501-Z010110-00A0	飞轮螺母	NUT, FLYWHEEL	1
E10-2	19352-Z2P0110-00A0	叶轮	IMPELLER	1
E10-3	28020-Z2P0110-00A0	启动杯底座	SEAT, STARTER CUP	1
E10-4	13510-Z2P0110-00A0	飞轮组合	FLYWHEEL SUBASSEMBLY	1
E10-5	30029-Z2P0110-00A0	导风罩支耳	LUG, SHROUD	1
E10-6	90007-0514-A1A0	六角法兰面螺栓	BOLT	1
E10-7	45200-Z2P0110-00A0	制动器部件	BRAKE ASSY.	1
E10-8	90007-0520-A1A0	六角法兰面螺栓	BOLT	3
E10-9	30400-Z2P0110-00A0	点火线圈	COIL, IGNITION	1

FIG.8 CLEANER, AIR 空滤器 (F01)



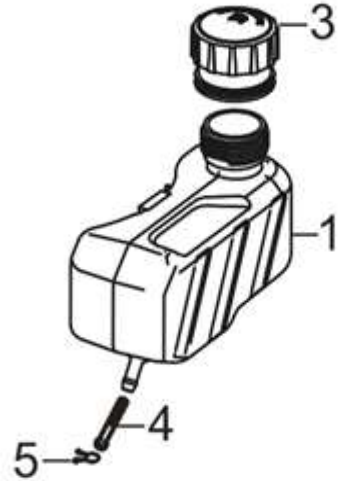
REF.NO. 序号	PART NO 物料代码	CHINESE 中文名	DESCRIPTION 英文名	Q'TY 数量
F01-1	17001-Z2P0110-00A0	空滤器密封垫	GASKET, AIR CLEANER	1
F01-2	17100-Z2P0110-00A0	空滤器	CLEANER, AIR	1
F01-3	90305-0600-31A0	六角法兰面螺母	NUT	2
F01-4	17004-Z2P0110-00A0	废气管	TUBE, BREATHER	1

FIG.13 MUFFLER ASSY. 消声器部件 (F02)



REF.NO. 序号	PART NO 物料代码	CHINESE 中文名	DESCRIPTION 英文名	Q'TY 数量
F02-1	18020-Z2P0111-00A0	消声器隔热板	PLATE, MUFFLER INSULATOR	1
F02-2	18100-Z2P0310-00A1	消声器部件	MUFFLER ASSY.	1
F02-3	90107-0413-03A0	十字槽盘头自攻螺钉	SCREW	2
F02-4	18020-Z2P0210-00A0	消声器隔热板	PLATE, MUFFLER INSULATOR	1
F02-5	90724-Z2P0110-00A0	衬管	BUSHING	2
F02-6	90001-0630-01A0	六角法兰面螺栓	BOLT	2
F02-7	18130-Z2P0510-00A0	消声器外罩	COVER, MUFFLER OUTER	1
F02-8	90001-0612-01A0	六角法兰面螺栓	BOLT	3

FIG.14 TANK ASSY, FUEL 油箱部件 (F03)



REF.NO. 序号	PART NO 物料代码	CHINESE 中文名	DESCRIPTION 英文名	Q'TY 数量
F03-1	16600-Z2P0110-Q2A0	油箱部件	TANK ASSY, FUEL	1
F03-3	16730-Z030110-00A0	油箱盖	COVER, FUEL TANK	1
F03-4	16652-Z030110-00A0	燃油滤网	STRAINER, FUEL	1
F03-5	90685-1000-01A0	管夹	CLAMP	1