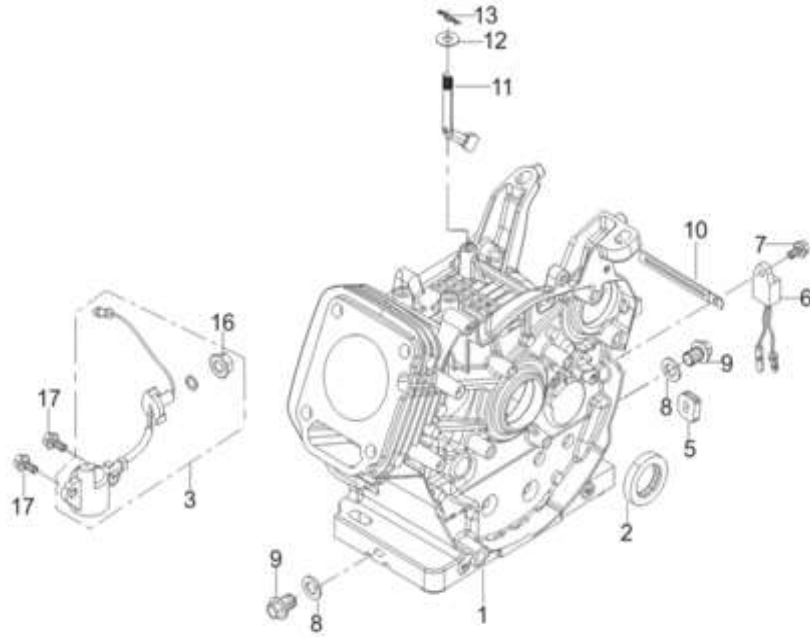


R3800 GASOLINE GENERATOR

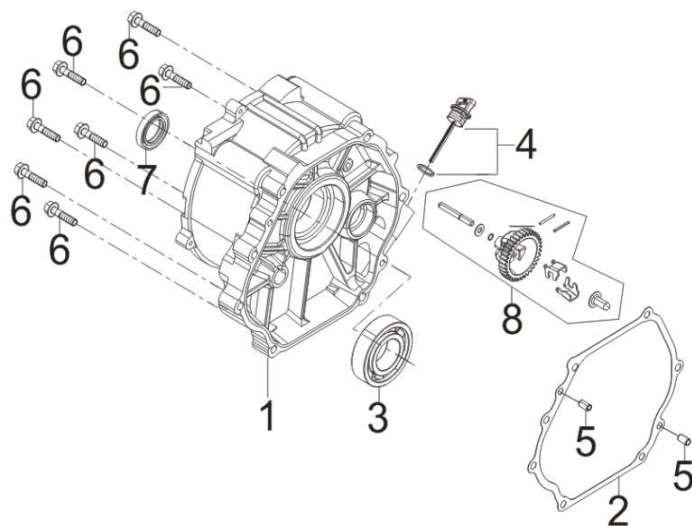
FIG.1 CRANKCASE. (E01)



| REF.NO. 序号 | PART NO 物料代码 | CHINESE 中文名 | DESCRIPTION 英文名 | Q'TY 数量 |
|---------------|--------------------|----------------|------------------------|------------|
| E01-1 | 11310-Z730310-0BA0 | 曲轴箱体组合 | CRANKCASE SUBASSEMBLY. | 1 |
| E01-2 | 90682-Z080110-00A0 | 油封 | SEAL, OIL | 1 |
| E01-3 | 37060-Z080120-00A0 | 机油传感器 | SENSOR, ENGINE OIL | 1 |
| E01-5 | 28101-Z080110-00A0 | 橡胶塞 | PLUG, RUBBER | 1 |
| E01-6 | 37050-Z010310-00A0 | 机油保护器 | PROTECTOR, OIL | 1 |
| E01-7 | 90001-0612-01A0 | 六角法兰面螺栓 | BOLT | 1 |

| | | | | |
|--------|--------------------|---------|-------------------------|---|
| E01-8 | 90412-Z080110-00A0 | 平垫圈 | FLAT WASHER | 2 |
| E01-9 | 11007-Z080110-00A0 | 放油螺栓 | BOLT, DRAIN PLUG | 2 |
| E01-10 | 90684-Z030120-00A0 | 线夹 | WIRE CLIP | 1 |
| E01-11 | 16061-Z080110-00A0 | 调速臂 | ARM, GOVERNOR | 1 |
| E01-12 | 90412-Z080210-00A0 | 平垫圈-A级 | FLAT WASHER - GRADE A | 1 |
| E01-13 | 90501-Z010110-00A0 | 开口销 | COTTER PIN | 1 |
| E01-16 | 90305-Z010210-01A0 | 六角法兰面螺母 | HEXAGON NUT WITH FLANGE | 1 |
| E01-17 | 90001-0616-01A0 | 六角法兰面螺栓 | BOLT | 2 |

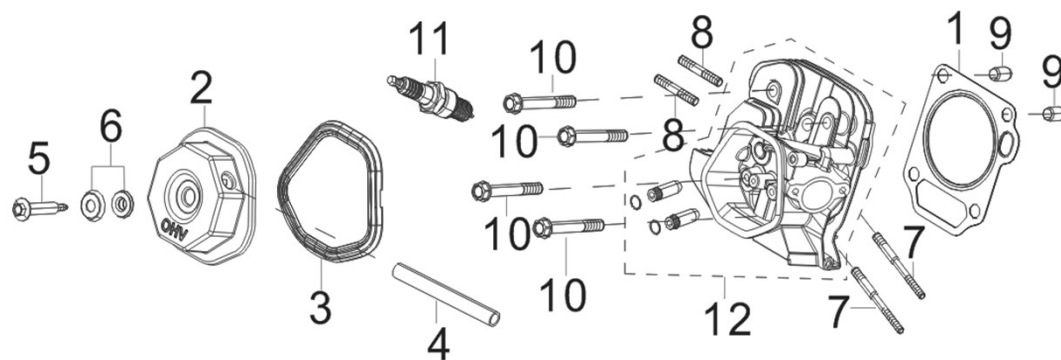
FIG.2 COVER SUBASSEMBLY, CRANKCASE / GEAR ASSY, GOVERNOR (E02)



| REF.NO. 序号 | PART NO 物料代码 | CHINESE 中文名 | DESCRIPTION 英文名 | Q'TY 数量 |
|---------------|--------------------|----------------|--------------------|------------|
| E01-1 | 11411-Z580510-0BA0 | 曲轴箱盖 | COVER, CRANKCASE | 1 |

| | | | | |
|-------|--------------------|---------|---------------------------|---|
| E01-2 | 11001-Z580120-00A0 | 曲轴箱密封垫 | GASKET, CRANKCASE | 1 |
| E01-3 | 90547-0206-00A0 | 深沟球轴承 | DEEP GROOVE BALL BEARING | 1 |
| E01-4 | 15010-Z080330-Q5A0 | 机油尺组合 | DIPSTICK SUBASSEMBLY, OIL | 1 |
| E01-5 | 90502-0912-00A0 | 定位销 | POSITION PIN | 2 |
| E01-6 | 90001-0835-01A0 | 六角法兰面螺栓 | BOLT | 7 |
| E01-7 | 90547-0206-00A0 | 油封 | SEAL, OIL | 1 |
| E01-8 | 16400-Z080110-00A0 | 调速齿轮部件 | GEAR ASSY, GOVERNOR | 1 |

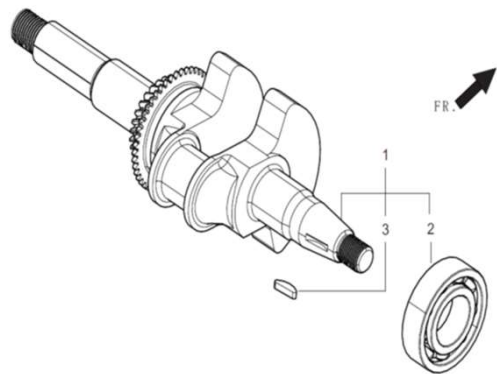
FIG.3 HEAD SUBASSEMBLY, CYLINDER / PLUG, SPARK (E03)



| REF.NO. 序号 | PART NO 物料代码 | CHINESE 中文名 | DESCRIPTION 英文名 | Q'TY 数量 |
|---------------|--------------------|----------------|----------------------------------|------------|
| E03-1 | 12131-Z730210-00A0 | 气缸头密封垫 | GASKET, CYLINDER HEAD | 1 |
| E03-2 | 12410-Z580110-01A9 | 气缸头盖组合 | COVER SUBASSEMBLY, CYLINDER HEAD | 1 |
| E03-3 | 12004-Z580110-00A9 | 气缸头盖密封垫 | CYLINDER HEAD COVER GASKET | 1 |

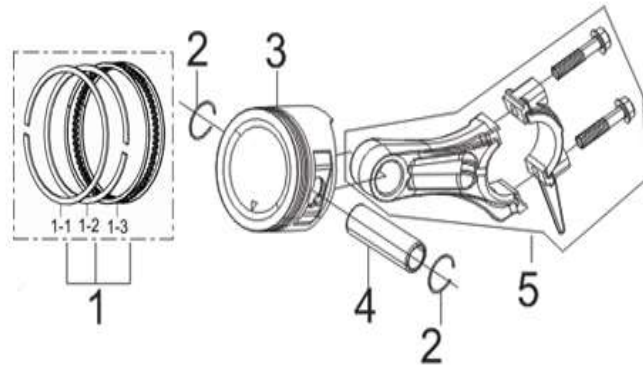
| | | | | |
|--------|--------------------|--------------|----------------------------|---|
| E03-4 | 17004-Z080510-00A0 | 废气管 | TUBE, BREATHER | 1 |
| E03-5 | 12032-Z080110-01A0 | 缸头盖螺栓 | CYLINDER HEAD COVER BOLT | 1 |
| E03-6 | 12034-Z080110-00A9 | 缸头盖螺栓密封垫+垫片组 | BOLT GASKET+WASHER | 1 |
| E03-7 | 90204-Z080410-00A0 | 双头螺柱 | STUD BOLT | 2 |
| E03-8 | 90203-Z010110-00A0 | 双头螺柱 | STUD BOLT | 2 |
| E03-9 | 90502-1220-00A0 | 定位销 | POSITION PIN | 2 |
| E03-10 | 12003-Z080110-00A0 | 气缸头螺栓 | CYLINDER HEAD BOLT | 4 |
| E03-11 | 30010-Z010110-00A0 | 火花塞 | PLUG, SPARK | 1 |
| E03-12 | 12140-Z730210-0BA9 | 气缸头组合 | HEAD SUBASSEMBLY, CYLINDER | 1 |

FIG.4 ROD,CRANKSHAFT CONNETING (E04)



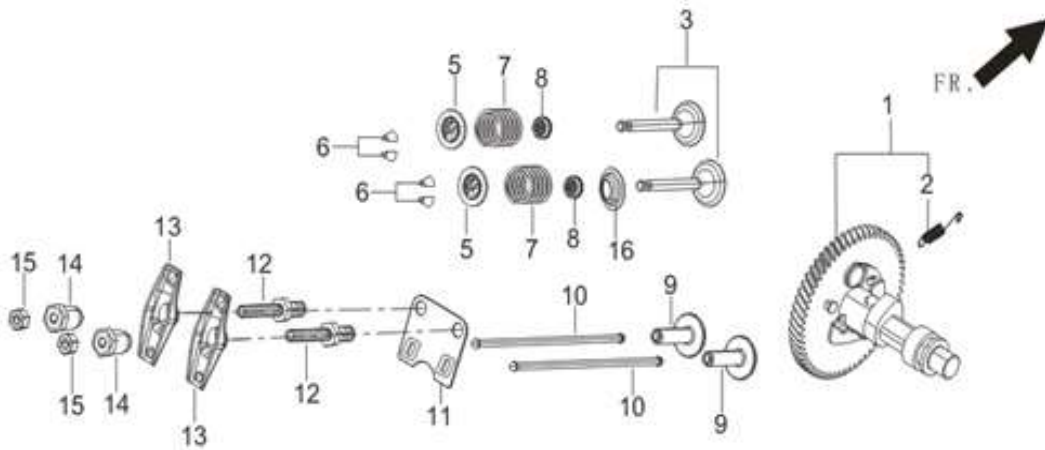
| REF.NO. 序号 | PART NO 物料代码 | CHINESE 中文名 | DESCRIPTION 英文名 | Q'TY 数量 |
|---------------|--------------------|----------------|--------------------|------------|
| E04-1 | 13300-Z730110-CLA0 | 曲轴部件 | CRANKSHAFT ASSY. | 1 |

FIG.5 RING SET,OIL / ROD,CRANKSHAFT CONNETING (E05)



| REF.NO. 序号 | PART NO 物料代码 | CHINESE 中文名 | DESCRIPTION 英文名 | Q'TY 数量 |
|---------------|--------------------|----------------|--------------------|------------|
| E05-1 | 13200-Z730110-00A9 | 活塞环部件 | RING ASSY, PISTON | 1 |
| E05-2 | 13122-Z730110-00A9 | 活塞销卡圈 | CLIP, PISTON PIN | 2 |
| E05-3 | 13111-Z730120-00A9 | 活塞 | PISTON | 1 |
| E05-4 | 13121-Z730110-00A0 | 活塞销 | PIN, PISTON | 1 |
| E05-5 | 13010-Z730120-00A9 | 连杆 | ROD, CONNECTING | 1 |

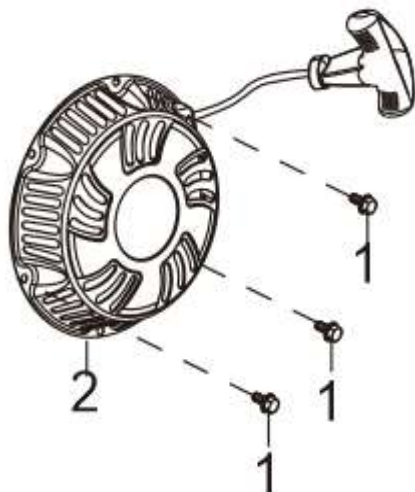
FIG.6 TRAIN,VALVE / CAMSHAFT SUBASSEMBLY (E06)



| REF.NO. 序号 | PART NO 物料代码 | CHINESE 中文名 | DESCRIPTION 英文名 | Q'TY 数量 |
|---------------|--------------------|----------------|-----------------------------------|------------|
| E06-1 | 14200-Z730120-00A9 | 凸轮轴部件 | CAMSHAFT ASSY. | 1 |
| E06-3 | 12110-Z730110-00A9 | 气门组件 | VALVES SET | 1 |
| E06-5 | 12112-Z730110-00A0 | 气门弹簧座 | SEAT, VALVE SPRING | 2 |
| E06-6 | 12109-Z730110-00A0 | 气门锁夹 | CLAMP, VALVE LOCK | 4 |
| E06-7 | 12103-Z730110-00A9 | 气门弹簧 | SPRING, VALVE | 2 |
| E06-8 | 12101-Z020110-00A0 | 挡油罩 | GUIDE, SEAL | 2 |
| E06-9 | 14081-Z580110-00A0 | 气门挺柱 | TAPPET, VALVE | 2 |
| E06-10 | 14070-Z730110-00A0 | 气门挺杆 | LIFTER, VALVE | 2 |
| E06-11 | 14090-Z080110-00A0 | 挺杆限位板组合 | PLATE SUBASSEMBLY, LIFTER STOPPER | 1 |

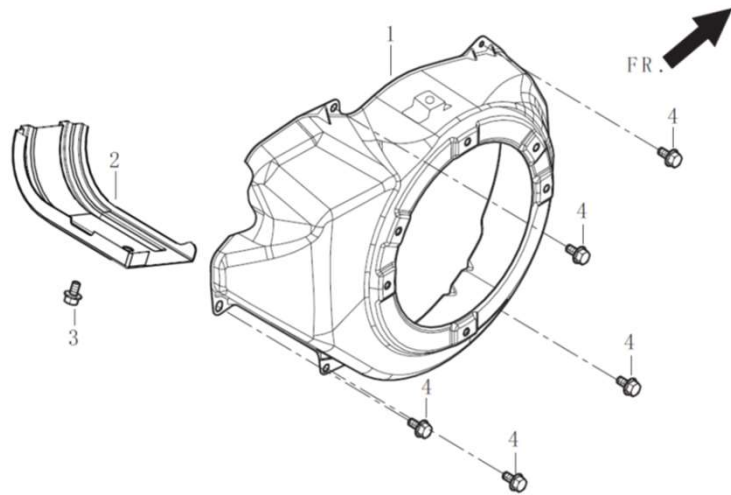
| | | | | |
|--------|--------------------|--------|------------------------|---|
| E06-12 | 14313-Z010110-00A0 | 摇臂轴螺栓 | ROCKSHAFT BOLT | 2 |
| E06-13 | 14311-Z080110-00A0 | 气门摇臂 | ROCKER, VALVE | 2 |
| E06-14 | 14314-Z010110-00A0 | 气门调节螺母 | NUT, VALVE ADJUSTING | 2 |
| E06-15 | 14312-Z010110-00A0 | 气门锁紧螺母 | NUT, VALVE LOCK | 2 |
| E06-16 | 12105-Z080110-00A0 | 气门弹簧座圈 | RETAINER, VALVE SPRING | 1 |

FIG.7 STARTER,RECOIL (E07)



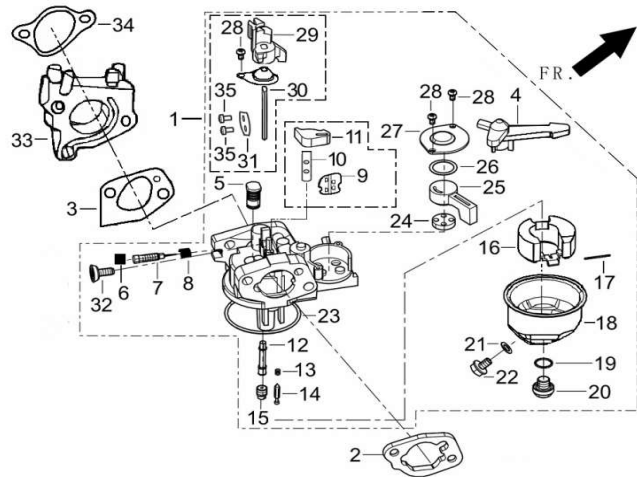
| REF.NO. 序号 | PART NO 物料代码 | CHINESE 中文名 | DESCRIPTION 英文名 | Q'TY 数量 |
|---------------|--------------------|----------------|--|------------|
| E07-1 | 90001-0608-01A0 | 六角法兰面螺栓-小系列 | HEXAGON SOCKET FLANGE FACE BOLT - SMALL SERIES | 4 |
| E07-2 | 28200-Z081110-H7A0 | 手起动部件 | STARTER ASSY, RECOIL | 1 |

FIG.8 SHROUD / SHIELD,LOWER 缸体导风罩/下护罩 (E08)



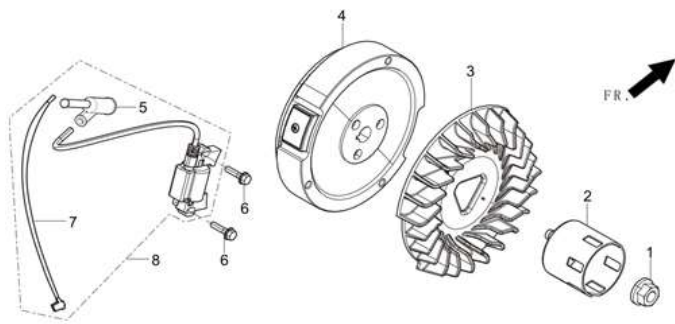
| REF.NO. 序号 | PART NO 物料代码 | CHINESE 中文名 | DESCRIPTION 英文名 | Q'TY 数量 |
|---------------|--------------------|----------------|--|------------|
| E08-1 | 28110-Z080210-H7A0 | 导风罩 | SHROUD | 1 |
| E08-2 | 19304-Z080110-00A0 | 缸体导风罩 | SHROUD, CYLINDER BODY | 1 |
| E08-3 | 90001-0612-01A0 | 六角法兰面螺栓-小系列 | HEXAGON SOCKET FLANGE FACE BOLT - SMALL SERIES | 1 |
| E08-4 | 90001-0612-01A0 | 六角法兰面螺栓-小系列 | HEXAGON SOCKET FLANGE FACE BOLT - SMALL SERIES | 5 |

FIG.9 CARBURETOR ASSY. 化油器部件 (E09)



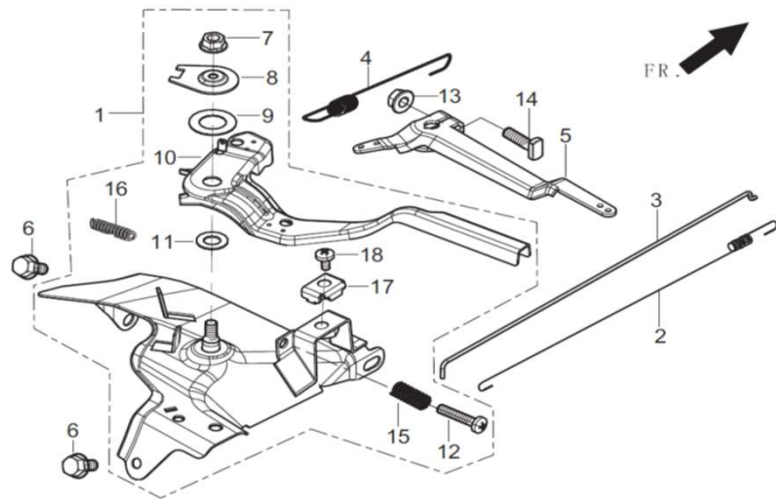
| REF.NO. 序号 | PART NO 物料代码 | CHINESE 中文名 | DESCRIPTION 英文名 | Q'TY 数量 |
|---------------|--------------------|----------------|-----------------------------|------------|
| E09-1 | 16100-Z730210-00A1 | 化油器部件 | CARBURETOR ASSY. | 1 |
| E09-2 | 17001-Z080110-00A0 | 空滤器密封垫 | AIR CLEANER SEAL GASKET | 1 |
| E09-3 | 16001-Z080110-00A0 | 化油器密封垫 | CARBURETOR SEAL GASKET | 1 |
| E09-33 | 16003-Z730110-00A0 | 化油器隔热板 | PLATE, CARBURETOR INSULATOR | 1 |
| E09-34 | 17002-Z080110-00A0 | 进气口密封垫 | GASKET, INLET | 1 |

FIG.10 FLYWHEEL / IMPELLER / STARTER PULLEY / IGNITION COIL (E10)



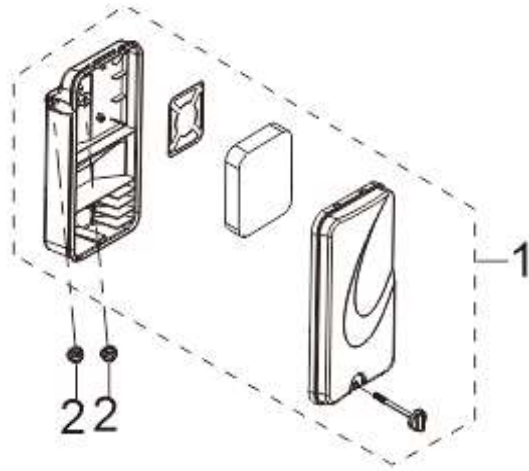
| REF.NO. 序号 | PART NO 物料代码 | CHINESE 中文名 | DESCRIPTION 英文名 | Q'TY 数量 |
|---------------|--------------------|----------------|--|------------|
| E10-1 | 13501-Z080110-00A0 | 飞轮螺母 | NUT, FLYWHEEL | 1 |
| E10-2 | 28002-Z080310-00A0 | 起动杯 | PULLEY,STARTER | 1 |
| E10-3 | 19352-Z080110-00A0 | 叶轮 | IMPELLER | 1 |
| E10-4 | 13510-Z080110-00A0 | 飞轮组合 | FLYWHEEL SUBASSEMBLY | 1 |
| E10-6 | 90001-0628-01A0 | 六角法兰面螺栓-小系列 | HEXAGON SOCKET FLANGE FACE BOLT - SMALL SERIES | 2 |
| E10-8 | 30400-Z080310-00A0 | 点火线圈 | COIL, IGNITION | 1 |

FIG.11 CONTROL ASSY, THROTTLE (E11)



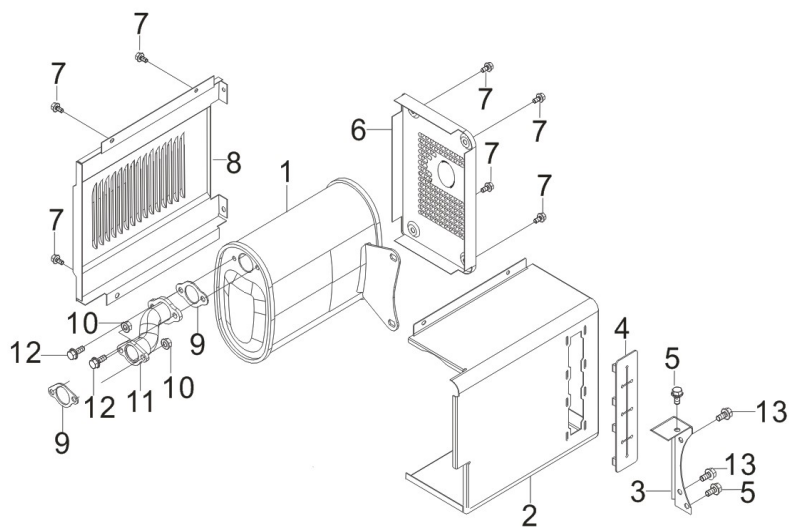
| REF.NO. 序号 | PART NO 物料代码 | CHINESE 中文名 | DESCRIPTION 英文名 | Q'TY 数量 |
|---------------|--------------------|----------------|--|------------|
| E11-1 | 16520-Z080210-00A0 | 油门操纵组合 | CONTROL ASSY, THROTTLE | 1 |
| E11-2 | 16012-Z080110-00A0 | 节气门复位弹簧 | SPRING, THROTTLE VALVE RETURNING | 1 |
| E11-3 | 16062-Z080110-00A0 | 调速拉杆 | ROD, GOVERNEOR | 1 |
| E11-4 | 16063-Z080310-00A0 | 调速弹簧 | SPRING, GOVERNOR | 1 |
| E11-5 | 16070-Z080110-00A0 | 调速支架组合 | GOVERNOR BRACKET SUBASSEMBLY | 1 |
| E11-6 | 90001-0612-01A0 | 六角法兰面螺栓-小系列 | HEXAGON SOCKET FLANGE FACE BOLT - SMALL SERIES | 2 |
| E11-13 | 90305-0600-31A0 | 六角法兰面螺母 | HEXAGON NUT WITH FLANGE | 1 |
| E11-14 | 16072-Z010110-00A0 | 调速支架固定螺栓 | BOLT, GOVERNOR SUPPORT | 1 |

FIG.12 CLEANER, AIR 空滤器 (F01)



| REF.NO. 序号 | PART NO 物料代码 | CHINESE 中文名 | DESCRIPTION 英文名 | Q'TY 数量 |
|---------------|--------------------|----------------|-------------------------|------------|
| F01-1 | 17100-Z310710-00A0 | 空滤器 | AIR CLEANER | 1 |
| F01-2 | 90305-0600-31A0 | 六角法兰面螺母 | HEXAGON NUT WITH FLANGE | 2 |

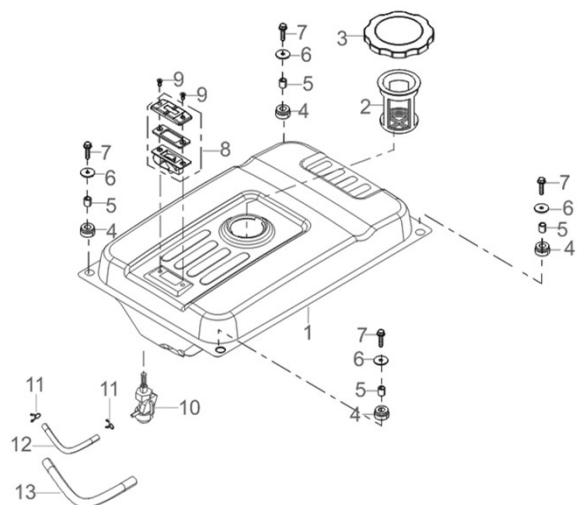
FIG.13 MUFFLER ASSY. 消声器部件 (F02)



| REF.NO. 序号 | PART NO 物料代码 | CHINESE 中文名 | DESCRIPTION 英文名 | Q'TY 数量 |
|---------------|--------------------|-----------------|--|------------|
| F04-1 | 18100-Y030510-00A0 | 消声器部件 | MUFFLER ASSY. | 1 |
| F04-2 | 18003HY340110-H3A0 | 消声器内罩 | COVER, MUFFLER INNER | 1 |
| F04-3 | 18030-Y730110-00A0 | 消声器支架 | BRACKET,MUFFLER | 1 |
| F04-4 | 18005-Y030120-00A0 | 消声器内罩隔热胶垫 | CUSHION, MUFFLER INSULATOR RUBBER | 1 |
| F04-5 | 90001-0816-01A0 | 六角法兰面螺栓-小系列 | HEXAGON SOCKET FLANGE FACE BOLT - SMALL SERIES | 2 |
| F04-6 | 18002-Y030110-H3A0 | 消声器边罩 | COVER, MUFFLER SIDE | 1 |
| F04-7 | 90007-0616-A1A0 | 六角法兰面螺栓-加大系列-B级 | HEXAGON SOCKET FLANGE FACE BOLT - BIG SERIES - GRADE B | 7 |
| F04-8 | 18130-Y030110-H3A0 | 消声器外罩 | MUFFLER OUTER COVER | 1 |
| F04-9 | 18001-Z080110-00A0 | 排气口密封垫 | GASKET, EXHAUST OUTLET | 2 |
| F04-10 | 90303-0800-31A0 | 1型六角螺母 | TYPE 1 HEXAGON NUT | 2 |

| | | | | |
|--------|--------------------|-------------|--|---|
| F04-11 | 18150-Z080610-00A0 | 排气管 | PIPE, EXHAUST | 1 |
| F04-12 | 90001-0830-01A0 | 六角法兰面螺栓-小系列 | HEXAGON SOCKET FLANGE FACE BOLT - SMALL SERIES | 2 |
| F04-13 | 90001-0816-01A0 | 六角法兰面螺栓-小系列 | HEXAGON SOCKET FLANGE FACE BOLT - SMALL SERIES | 2 |

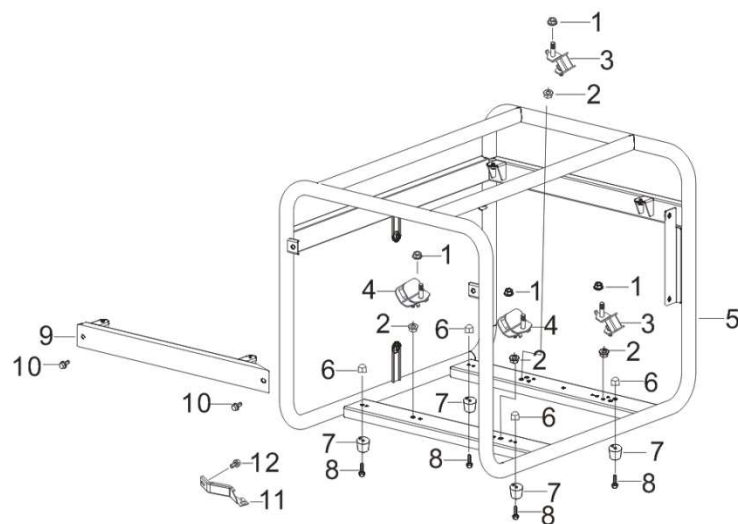
FIG.14 TANK ASSY, FUEL 油箱部件 (F03)



| REF.NO. 序号 | PART NO 物料代码 | CHINESE 中文名 | DESCRIPTION 英文名 | Q'TY 数量 |
|---------------|--------------------|----------------|--------------------------|------------|
| F03-1 | 16620-Y440710-H7AP | 油箱 | FUEL TANK | 1 |
| F03-2 | 16652-Y020120-00A0 | 燃油滤网 | STRAINER, FUEL | 1 |
| F03-3 | 16730-Y020130-H7A0 | 油箱盖 | COVER, FUEL TANK | 1 |
| F03-4 | 16601-Y020120-00A0 | 油箱支撑胶套 | SLEEVE, FUEL TANK RUBBER | 4 |
| F03-5 | 90683-Y020110-00A0 | 衬套 | BUSH | 4 |

| | | | | |
|--------|--------------------|---------|-------------------|---|
| F03-6 | 90408-Y020310-00A0 | 平垫圈 | FLAT WASHER | 4 |
| F03-7 | 90007-0625-A1A0 | 六角法兰面螺栓 | BOLT | 4 |
| F03-8 | 37200-Y020120-H3A0 | 油标部件 | LEVELER ASSY, OIL | 1 |
| F03-9 | 90104-0512-51A0 | 十字槽沉头螺钉 | BOLT | 2 |
| F03-10 | 16750-Y020211-00A0 | 油开关组合 | COCK ASSY, FUEL | 1 |
| F03-11 | 90740-Z010210-00A0 | 卡箍 | COLLAR | 1 |
| F03-12 | 90686-Z190810-00A0 | 油管 | TUBE, FUEL | 1 |
| F03-13 | 30431-Y030110-00A0 | 橡胶护套 | JACKET, RUBBER | 1 |

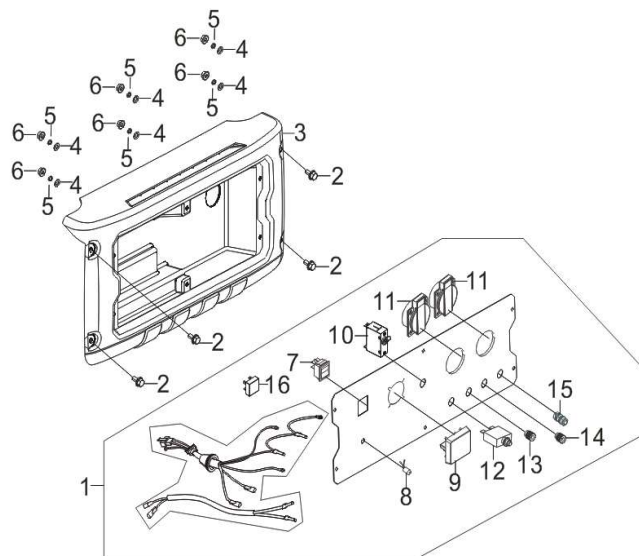
FIG.15 FRAME, ENGINE 机架组件 (F04)



| REF.NO. 序号 | PART NO 物料代码 | CHINESE 中文名 | DESCRIPTION 英文名 | Q'TY 数量 |
|---------------|-----------------|----------------|--------------------|------------|
|---------------|-----------------|----------------|--------------------|------------|

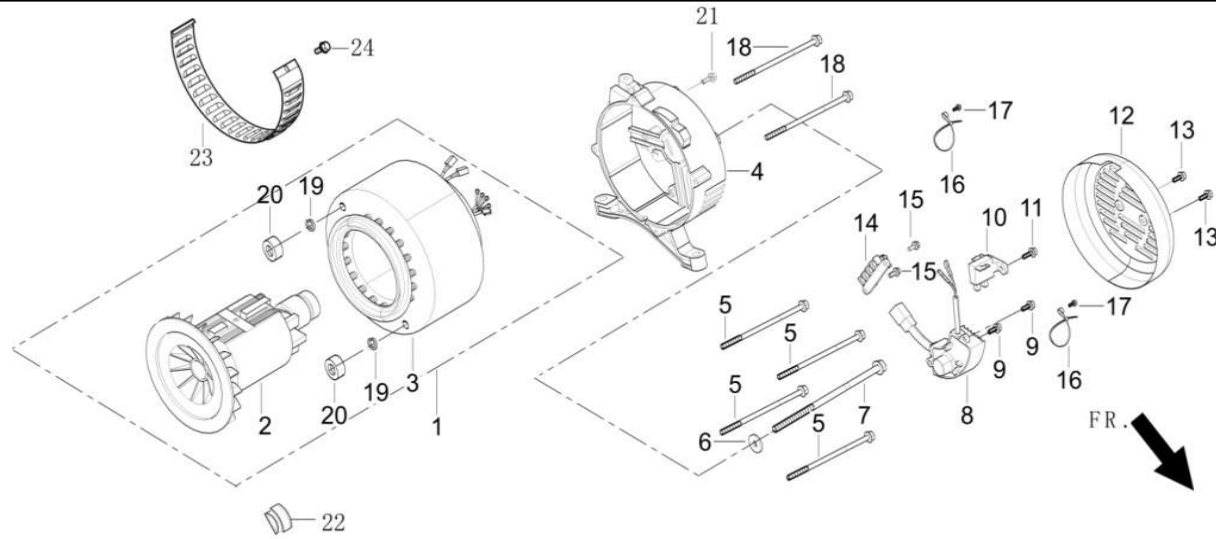
| | | | | |
|--------|--------------------|---------|-------------------------------------|---|
| F04-1 | 90306-1000-31A0 | 六角法兰面螺母 | HEXAGON NUT WITH FLANGE | 4 |
| F04-2 | 90305-0800-31A0 | 六角法兰面螺母 | HEXAGON NUT WITH FLANGE | 4 |
| F04-3 | 51005HY030120-00A0 | 机架减震垫 | CUSHION, ENGINE FRAME | 2 |
| F04-4 | 51012HY030120-00A0 | 机架后减震垫 | CUSHION, ENGINE FRAME REAR | 2 |
| F04-5 | 51100-Y3C0120-H7A0 | 机架部件 | FRAME ASSY, ENGINE | 1 |
| F04-6 | 90327-0600-31A0 | 六角法兰面螺母 | HEXAGON NUT WITH FLANGE | 4 |
| F04-7 | 51014HY020120-00A0 | 机架减震座 | SEAT, ENGINE FRAME SHOCK ABSORPTION | 4 |
| F04-8 | 90001-0612-01A0 | 六角法兰面螺栓 | BOLT | 4 |
| F04-9 | 51150-Y1T0110-H7A0 | 横挡组合 | CROSSPIECE SUBASSEMBLY | 1 |
| F04-10 | 90007-0612-A1A0 | 六角法兰面螺栓 | BOLT | 2 |
| F04-11 | 17003-Y380110-00A0 | 空滤器支架 | SUPPORT, ATR CLEANER | 1 |
| F04-12 | 90001-0612-01A0 | 六角法兰面螺栓 | BOLT | 1 |

FIG.17 PANEL SUBASSEMBLY, CONTROL 控制面板组件 (F05)



| REF.NO. 序号 | PART NO 物料代码 | CHINESE 中文名 | DESCRIPTION 英文名 | Q'TY 数量 |
|---------------|--------------------|----------------|----------------------------------|------------|
| F05-1 | 35610-Y7E0210-H3A0 | 控制面板组合 | PANEL SUBASSEMBLY, CONTROL | 1 |
| F05-2 | 90007-0620-A1A0 | 六角法兰面螺栓 | BOLT | 4 |
| F05-3 | 35680-Y500110-Q2A0 | 面板座 | SEAT, PANEL | 1 |
| F05-4 | 90408-0400-E1A0 | 平垫圈-A级 | FLAT WASHER - GRADE A | 6 |
| F05-5 | 90403-0400-01A0 | 弹簧垫圈 | WASHER, FLAT | 6 |
| F05-6 | 90305-0400-71A0 | 六角法兰面螺母 | HEXAGON NUT WITH FLANGE | 6 |
| F05-7 | 35614-Y020110-0000 | 开关组合件 | SWITCH SUBASSEMBLY | 1 |
| F05-8 | 37018-Y900110-0000 | 机油指示灯 | OIL LAMP | 1 |
| F05-9 | 37114-Y020110-0000 | 电压表 | VOTMETER | 1 |
| F05-10 | 35645-Y470110-0000 | 单极断路器 | BREAKER, SINGLE-POLE CIRCUIT | 1 |
| F05-11 | 35614-Y020110-0000 | 电源插座组合 | SOCKET SUBASSEMBLY, POWER SUPPLY | 2 |
| F05-12 | 31234-Y020110-0000 | 过流保护器 | PROTECTOR, OVERCURRENT | 1 |
| F05-13 | 35633-Y020110-0000 | 正极线柱 | POSITIVE POLE | 1 |
| F05-14 | 35634-Y020110-0000 | 负极线柱 | NEGATIVE POLE | 1 |
| F05-15 | 35629-Y090110-0000 | 接地端子组合 | TERMINAL SUBASSEMBLY, GROUNDING | 1 |
| F05-16 | 35621-Y020110-0000 | 整流桥 | BRIDGE, RECTIFICATION | 1 |

FIG.18 ROTOR/STATOR 电机组件 (F06)



| REF.NO. 序号 | PART NO 物料代码 | CHINESE 中文名 | DESCRIPTION 英文名 | Q'TY 数量 |
|---------------|--------------------|----------------|---------------------------|------------|
| F06-1 | 31300-Y6B0510-00A0 | 电机部件 | MOTOR ASSY. | 1 |
| F06-4 | 30021-Y030310-00A0 | 电机支架 | MOTOR SUPPORT | 1 |
| F06-5 | 30048-Y030210-00A0 | 定子螺栓 | STATOR BOLT | 4 |
| F06-6 | 90408-Y030110-00A0 | 平垫圈 | FLAT WASHER | 1 |
| F06-7 | 30049-Y030210-00A0 | 转子螺栓 | BOLT, ROTOR | 1 |
| F06-8 | 30060-Y030120-00A0 | 调压器 | REGULATOR, VOLTAGE | 1 |
| F06-9 | 90001-0516-01A0 | 六角法兰面螺栓 | BOLT | 2 |
| F06-10 | 31320-Y030120-0000 | 碳刷组合 | BRUSH SUBASSEMBLY, CARBON | 1 |
| F06-11 | 90001-0516-01A0 | 六角法兰面螺栓 | BOLT | 1 |
| F06-12 | 30022-Y030110-H7A0 | 电机尾盖 | MOTOR TAIL COVER | 1 |

| | | | | |
|--------|--------------------|---------|----------------------------|---|
| F06-13 | 90001-0512-01A0 | 六角法兰面螺栓 | BOLT | 2 |
| F06-14 | 31303HY090110-0000 | 接线板 | BLOCK, TERMINAL | 1 |
| F06-15 | 90001-0516-01A0 | 六角法兰面螺栓 | BOLT | 2 |
| F06-16 | 90727-Y020110-00A0 | 扎带 | BAND | 2 |
| F06-17 | 90001-0516-01A0 | 六角法兰面螺栓 | BOLT | 2 |
| F06-18 | 31316-Y030210-00A0 | 定子固定螺栓 | STATOR BOLT | 2 |
| F06-19 | 90403-0500-01A0 | 弹簧垫圈 | WASHER, FLAT | 2 |
| F06-20 | 31317-Y030110-00A0 | 定子固定螺母 | NUT, STATOR | 2 |
| F06-21 | 90001-0512-01A0 | 六角法兰面螺栓 | BOLT | 1 |
| F06-22 | 30023-Y030120-00A0 | 电机右盖挡块 | STOPPER, MOTOR RIGHT COVER | 1 |
| F06-23 | 30024-Y730110-00A0 | 电机导风罩 | SHROUD, MOTOR | 1 |
| F06-24 | 90001-0510-01A0 | 六角法兰面螺栓 | BOLT | 1 |