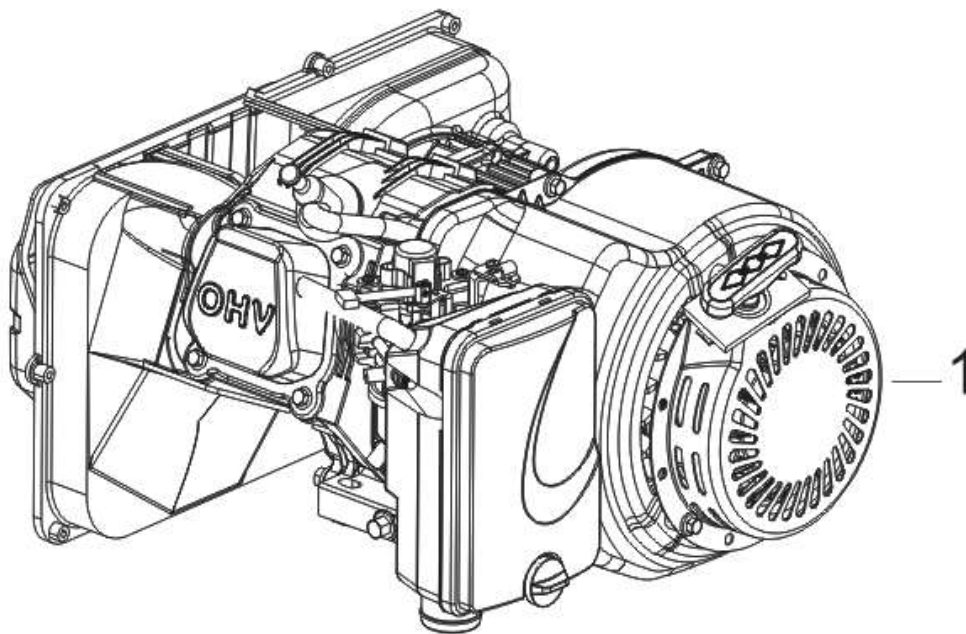


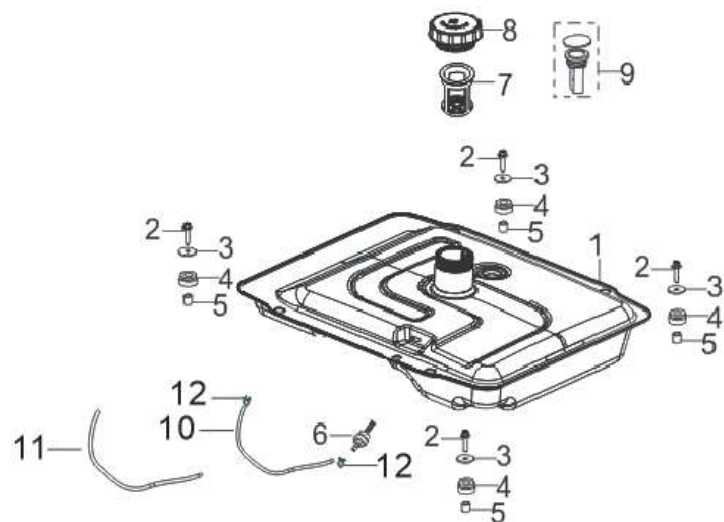
R3000IE-2变频发电机图册

FIG.1 ENGINE. 发动机(E01)



REF.NO. 序号	PART NO 物料代码	CHINSES 中文名	DESCRIPTION 英文名	Q'TY 数量
E01-1	R210MI000FC-GIA001	发动机	ENGINE	1

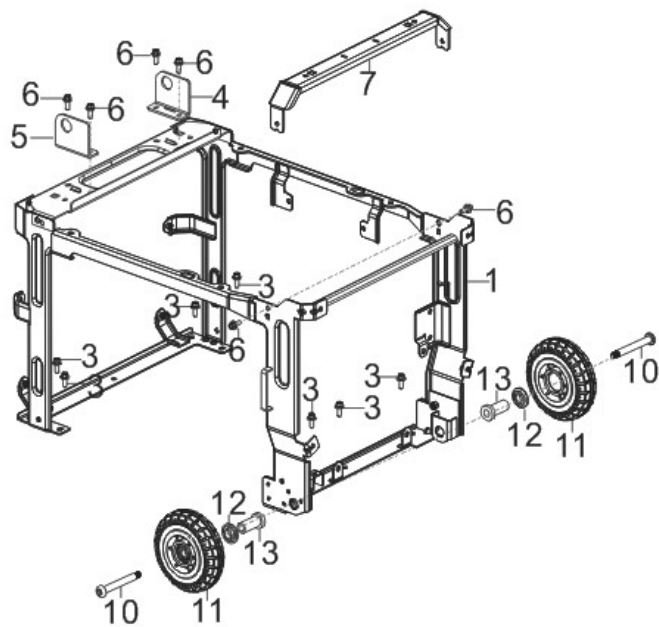
FIG.2 TANK ASSY, FUEL 油箱部件 (F03)



REF.NO. 序号	PART NO 物料代码	CHINSES 中文名	DESCRIPTION 英文名	Q'TY 数量
F03-1	16620-YBR0110-H700	油箱部件	TANK ASSY, FUEL	1
F03-2	90001-0625-01	六角法兰面螺栓	BOLT	4
F03-3	90408-Y020310-0000	平垫圈-A级	WASHER, FLAT	4
F03-4	16601-Y020120-0000	油箱支撑胶套	SLEEVE, FUEL TANK RUBBER	4
F03-5	90683-Y020110-0000	衬套	BUSH	4
F03-6	16680-Y2P0110-0000	出油嘴组合	OUTLET SUBASSEMBLY, FUEL TANK OIL	1
F03-7	16652-Y9T0110-0000	燃油滤网	STRAINER, FUEL	1
F03-8	16730-YBR0110-Q200	油箱盖	COVER, FUEL TANK	1
F03-9	37200-YBR0110-0000	油标部件	LEVELER ASSY, OIL	1
F03-10	16804-YBR0110-0000	燃油蒸汽橡胶管	HOSE, FUEL STEAM RUBBER	1

F03-11	90698-YA60110-0000	防护胶套	JACKET,RUBBER	1
F03-12	90685-Z030220-0000	管夹	CLAMP	2

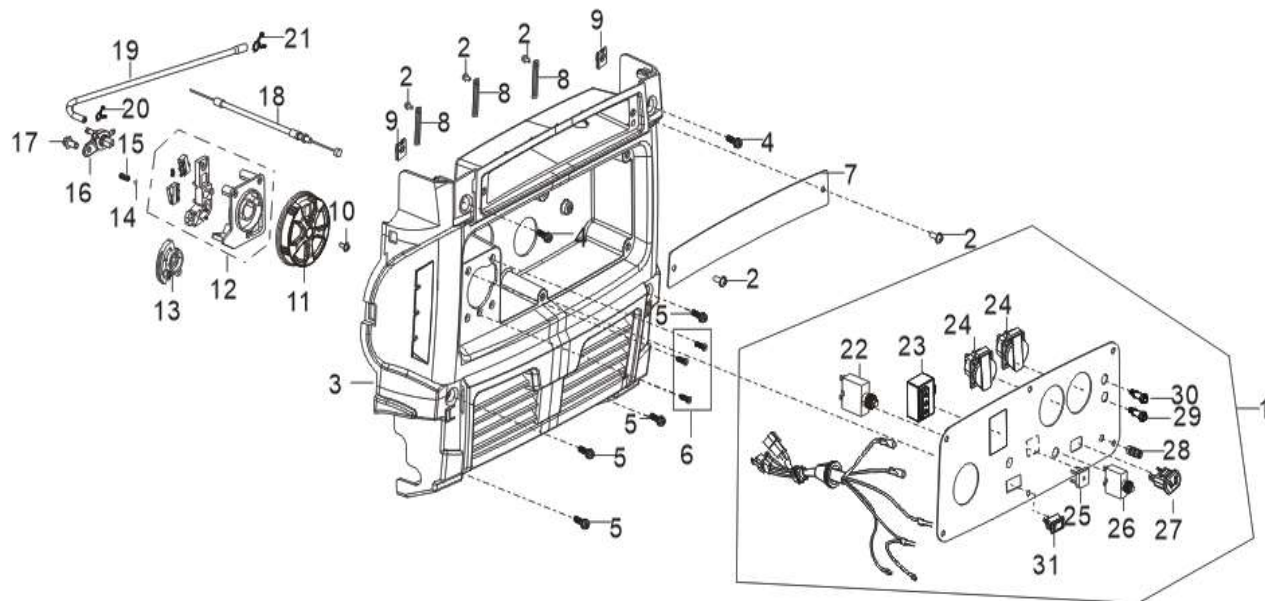
FIG.3 FRAME, ENGINE 机架组件 (F04)



REF.NO. 序号	PART NO 物料代码	CHINSES 中文名	DESCRIPTION 英文名	Q'TY 数量
F04-1	51100-YBR0110-H700	机架部件	FRAME ASSY, ENGINE	1
F04-3	90001-0616-01	六角法兰面螺栓-小系列	BOLT	7
F04-4	54102-YBR0110-0000	手把管支撑	HANDLE TUBE CONNECTING SEAT	1
F04-5	54102-YBR0210-0000	手把管支撑	HANDLE TUBE CONNECTING SEAT	1
F04-6	90001-0612-01	六角法兰面螺栓-小系列	BOLT	6
F04-7	51150-YBR0110-H700	横档组合	bar	1
F04-10	44020-YBR0110-0000	前轮轴	SHAFT, FRONT WHEEL	2

F04-11	44110-YBR0110-0000	前轮	WHEEL, FRONT	2
F04-12	76352-YBR0110-0000	防尘盖	dust-proof cap	2
F04-13	44023-YBR0110-0000	轮轴套管	sleeve of wheel axle	2

FIG.4 PANEL SUBASSEMBLY, CONTROL 控制面板组件 (F05)

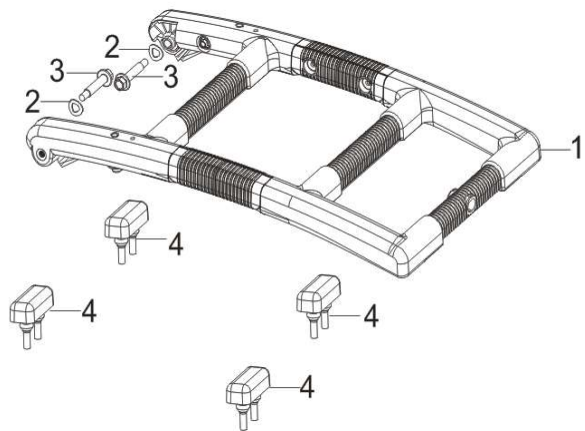


REF.NO. 序号	PART NO 物料代码	CHINSES 中文名	DESCRIPTION 英文名	Q'TY 数量
F05-1	35610-YD40310-H300	控制面板组合	PANEL SUBASSEMBLY, CONTROL	1
F05-2	90103-0508-53	十字槽盘头螺钉	SCREW	11
F05-3	35680-YBR0110-Q200	面板座	SEAT, PANEL	1
F05-4	90208-YB00210-0000	六角台阶螺栓	BOLT	2

F05-5	90208-YB00410-0000	六角台阶螺栓	BOLT	4
F05-6	90129-0416-01	十字槽沉头自攻螺钉	self tapping screw	3
F05-7	35672-YBR0110-Q200	商标铭牌	plate	1
F05-8	90684-Z030120-0000	线夹	CLIP	3
F05-9	17199-YB00110-0000	夹片螺母	NUT	2
F05-10	90103-0416-51	十字槽盘头螺钉	SCREW	1
F05-11	35643-Y2V0210-Q200	旋钮	KNOB	1
F05-12	35160-Y9T0210-0000	开关组合件	SWITCH SUBASSEMBLY	1
F05-13	94111-Y2V0410-0000	盖板	SWITCH SUBASSEMBLY	1
F05-14	90543-0500-00	钢球	BALL, STEEL	1
F05-15	16527-Y2V0210-0000	限位调节弹簧	SPRING, STOPPER ADJUSTING	1
F05-16	16750-Y2V0140-0000	油开关组合	COCK ASSY, FUEL	1
F05-17	90001-0612-01	六角法兰面螺栓	BOLT	1
F05-18	16080-Y2P0110-0000	阻风门拉手组合	HANDLE SUBASSEMBLY, CHOKE	1
F05-19	90686-YBR0110-0000	油管	TUBE, FUEL	1
F05-20	90740-Z010210-0000	卡箍	COLLAR	1
F05-21	90685-Z030510-0000	卡箍	COLLAR	1
F05-22	35646-Y2V0210-0000	复位按钮	BUTTON, RESETTING	1
F05-23	30700-Y2P0120-0000	点火器	IGNITOR	1
F05-24	35614-Y020110-0000	电源插座组合	SOCKET SUBASSEMBLY, POWER SUPPLY	1
F05-25	35621-Y020110-0000	整流桥	BRIDGE, RECTIFICATION	1
F05-26	31234-Y020110-0000	过流保护器	PROTECTOR, OVERCURRENT	1
F05-27	35619-Y2V0110-0000	直流插座组合	SOCKET SUBASSEMBLY, D.C	1
F05-28	35629-Y2V0110-0000	接地端子组合	TERMINAL SUBASSEMBLY, GROUNDING	1
F05-29	35614-Y2P0210-0000	电源插座组合	SOCKET SUBASSEMBLY, POWER SUPPLY	1
F05-30	35614-Y2P0310-0000	电源插座组合	SOCKET SUBASSEMBLY, POWER SUPPLY	1

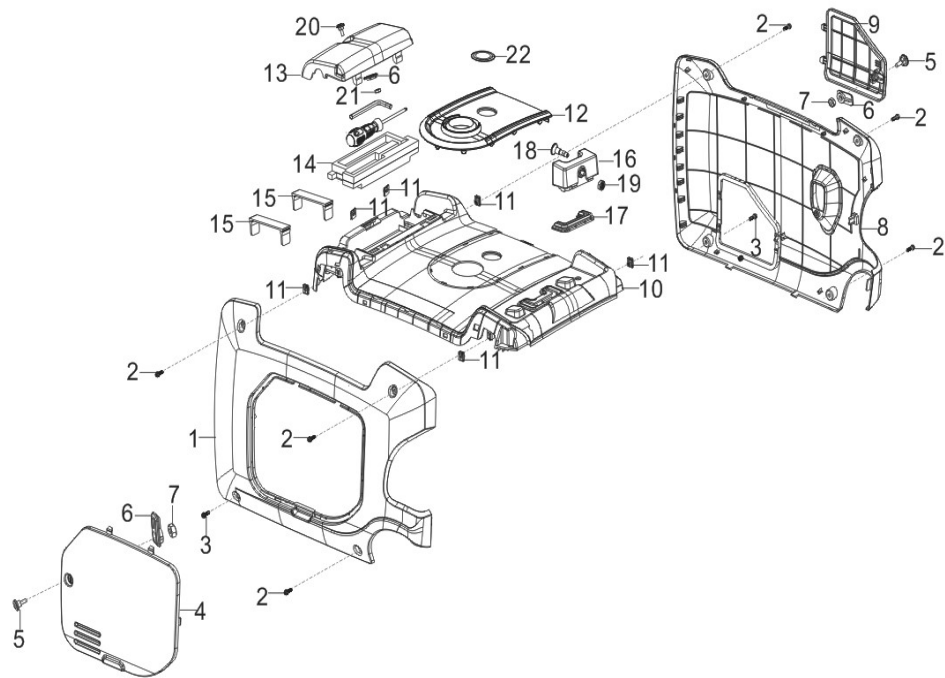
F05-31	35540-Y2V0110-0000	怠速开关	idle switch	1
--------	--------------------	------	-------------	---

FIG.5 HANDEL 提手(F08)



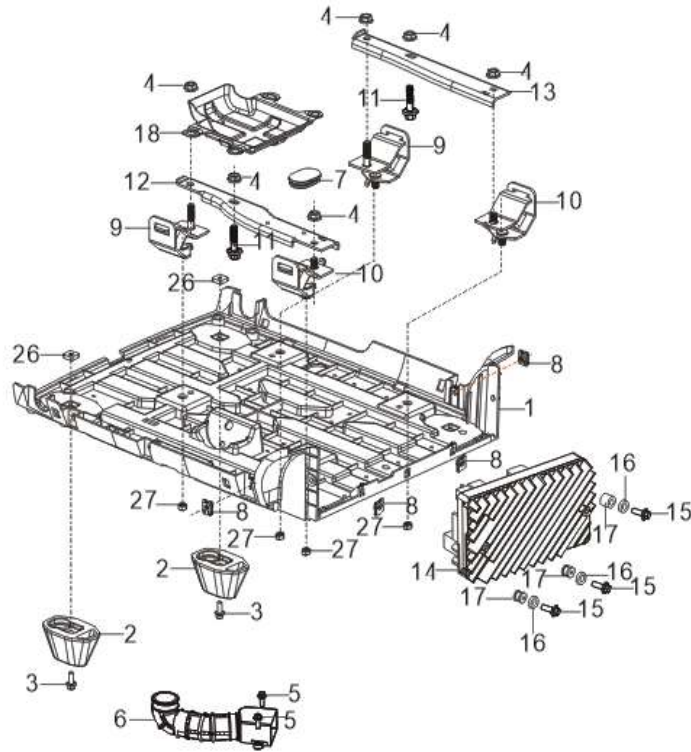
REF.NO. 序号	PART NO 物料代码	CHINSES 中文名	DESCRIPTION 英文名	Q'TY 数量
F08-1	54110HYBR0110-0000	手把管组合	HANDLE TUBE ASSY	1
F08-2	90405-1000-Z3	波形弹性垫圈	washer	2
F08-3	90208-YBR0110-0000	六角台阶螺栓	BOLT	2
F08-4	35608-YBR0110-0000	橡胶减震块	rubber	4

FIG.6 外壳、装饰板 (F31)



REF.NO. 序号	PART NO 物料代码	CHINSES 中文名	DESCRIPTION 英文名	Q'TY 数量
F31-1	80091HYBR0110-WM00	左外壳	SHELL, LEFT	1
F31-2	90208-YB00210-0000	六角台阶螺栓	BOLT	6
F31-3	90208-YB00410-0000	六角台阶螺栓	BOLT	2
F31-4	51196HYBR0110-WM00	左维护门	maintenance door left	1
F31-5	90208-Y9T0120-0000	六角台阶螺栓	BOLT	2
F31-6	24329-Y9T0120-Q200	挡块	LEVER	3
F31-7	90341-YA50110-0000	尼龙螺母	NUT	2
F31-8	80095HYBR0110-WM00	右外壳	SHELL, RIGHT	1

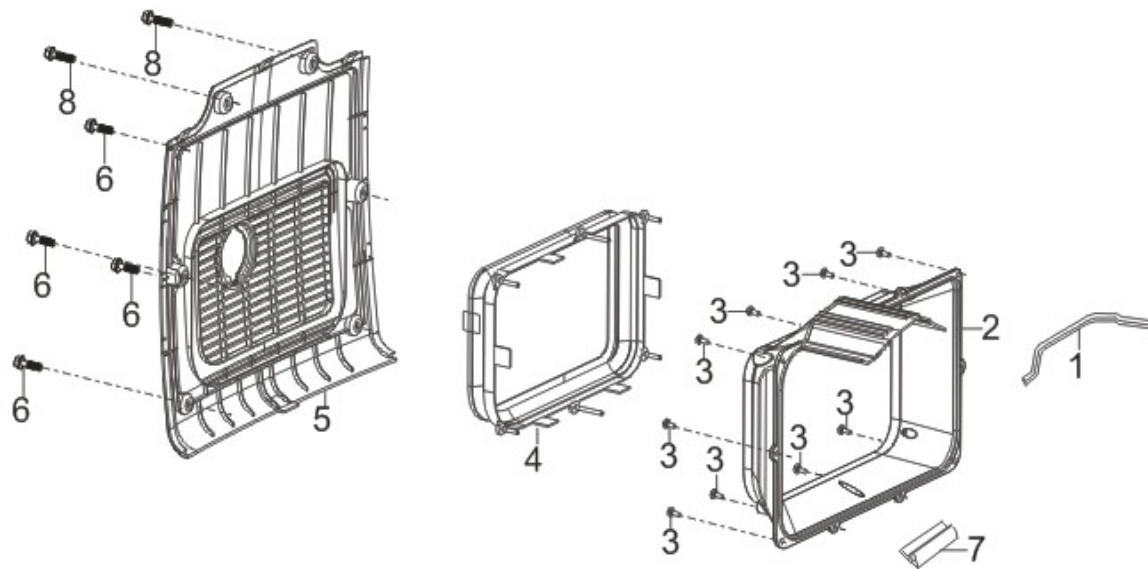
F31-9	51197HYBR0110-WM00	右维护门	maintenance door right	1
F31-10	94230HYBR0110-Q200	上盖	COVER, UPPER	1
F31-11	17199-YB00110-0000	夹片螺母	NUT	6
F31-12	16641-YBR0110-0000	注油口胶套	SLEEVE, FILLING OIL HOLE RUBBER	1
F31-13	82007-YBR0210-Q200	装饰盖	COVER, DECORATED	1
F31-14	53007-YBR0110-0000	衬垫	GASKET	1
F31-15	31117-YBR0110-0000	橡胶带	STRIP, RUBBER	2
F31-16	82007-YBR0110-0000	装饰盖	COVER, DECORATED	1
F31-17	35671-YBR0110-0000	防水胶条	water-proof rubber	1
F31-18	90504-YBR0110-0000	销轴	PIN ROLL	1
F31-19	90336-Y2D0110-0000	六角螺母	NUT	1
F31-20	80105-YB00110-Q200	火花塞维修门旋钮	KNOB, SPARK PLUG REPAIR DOOR	1
F31-21	37073-Y2V0110-0000	弹簧卡圈	CLIP, SPRING	1
F31-22	37205-Y2V0310-0000	油标玻璃窗	OPENING, OIL LEVERLER VIEW	1
FIG.7 底板、逆变器 (F32)				



REF.NO. 序号	PART NO 物料代码	CHINSES 中文名	DESCRIPTION 英文名	Q'TY 数量
F32-1	51140-YBR0110-Q200	底板组合	bottom plate	1
F32-2	51014HYB00210-0000	机架减震座	SEAT, ENGINE FRAME SHOCK ABSORPTION	2
F32-3	90001-0616-01	六角法兰面螺栓-小系列	BOLT	2
F32-4	90305-0800-31	六角法兰面螺母	NUT	6
F32-5	90001-0616-01	六角法兰面螺栓-小系列	BOLT	2
F32-6	17110-Z430210-0000	空滤器进气管组合	DUCT, AIR CLEANER INTAKE	1
F32-7	90722-Y2P0110-0000	堵头	PLUG, END	1
F32-8	17199-YB00110-0000	夹片螺母	NUT	2

F32-9	51011HYBR0110-0000	机架右减震垫	CUSHION, ENGINE FRAME RIGHT	2
F32-10	51005HYBR0110-0000	机架减震垫	CUSHION, ENGINE FRAME	2
F32-11	90001-0840-01	六角法兰面螺栓-小系列	BOLT	2
F32-12	51188-Y2P0110-H700	动力左支撑	engine support left	1
F32-13	51189-Y2P0110-H700	动力右支撑	engine support right	1
F32-14	30043-YCE0110-0000	逆变器	INVERTOR	1
F32-15	90001-0625-01	六角法兰面螺栓-小系列	BOLT	3
F32-16	30431-Y2P0110-0000	橡胶护套	JACKET, RUBBER	3
F32-17	90683-Y2P0210-0000	衬套	BUSH	3
F32-18	19306-Z430110-0000	箱体导风板	DEFLECTOR, CRANKCASE AIR	1
F32-26	90326-Y2V0110-0000	方螺母	square nut	2
F32-27	90305-0800-31	六角法兰面螺母	NUT	4

FIG.8 消声器边罩 (F33)



REF.NO. 序号	PART NO 物料代码	CHINSES 中文名	DESCRIPTION 英文名	Q'TY 数量
F33-1	19081-Y2P0110-0000	导风罩密封条	STRIP, SHROUD SEAL	1
F33-2	18130-Y2P0110-Q200	消声器外罩	COVER, MUFFLER OUTER	1
F33-3	90124-Y9T0510-0000	自攻螺钉	SCREW, CROSS GROOVE PAN	9
F33-4	18018-Y2P0120-0000	消声器隔热胶垫	SCREW, CROSS GROOVE PAN	1
F33-5	18002HYBR0110-Q200	消声器边罩	COVER, MUFFLER SIDE	1
F33-6	90208-YB00410-0000	六角台阶螺栓	BOLT	4
F33-7	19081-Y2P0210-0000	导风罩密封条	STRIP, SHROUD SEAL	1
F33-8	90208-YB00210-0000	六角台阶螺栓	BOLT	2