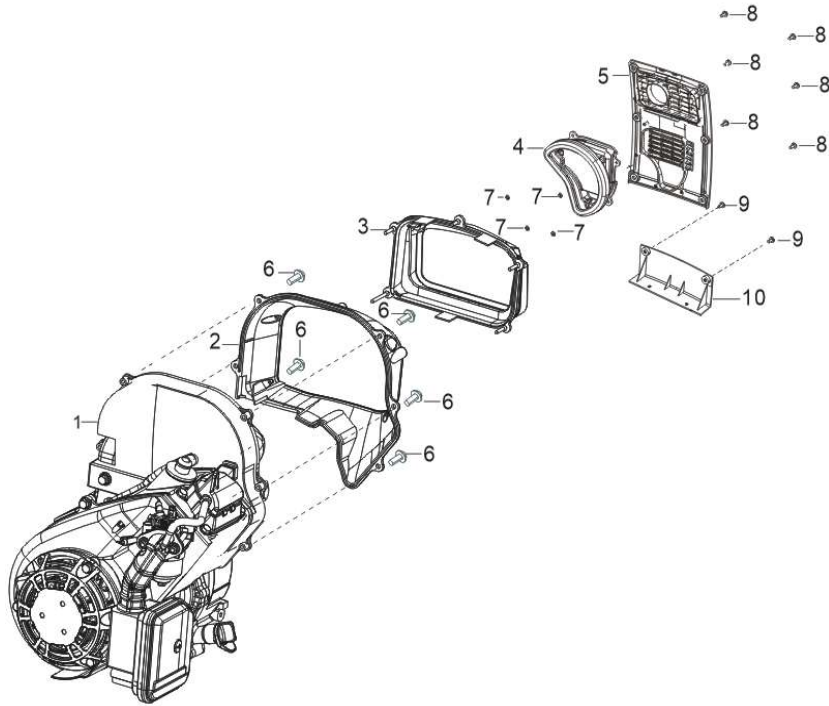


R2000iS-2变频发电机图册

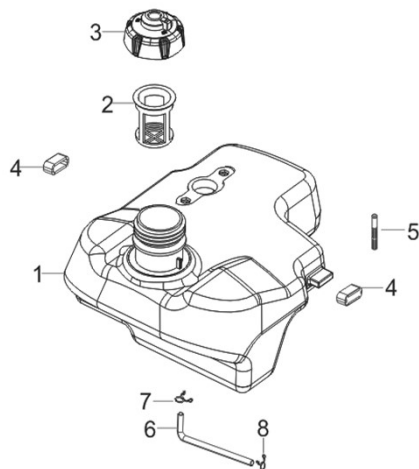
FIG.1 ENGINE (E01)



| REF.NO. 序号 | PART NO 物料代码 | CHINESE 中文名 | DESCRIPTION 英文名 | Q'TY 数量 |
|---------------|--------------------|----------------|-----------------------|------------|
| E01-1 | R80MI0000FC-GIA001 | 发动机 | ENGINE | 1 |
| E01-2 | 18109-Z800110-0000 | 消声器导流罩 | SHROUD, MUFFLER | 1 |
| E01-3 | 18002-Z800110-0000 | 消声器边罩 | COVER, MUFFLER SIDE | 1 |
| E01-4 | 53202-YB00110-0000 | 接头减震胶套 | CUSHION, JOINT RUBBER | 1 |
| E01-5 | 18002HYB00110-Q200 | 消声器边罩 | COVER, MUFFLER SIDE | 1 |
| E01-6 | 90107-0516-01 | 十字槽盘头自攻螺钉 | SCREW | 5 |

| | | | | |
|--------|--------------------|--------|------------------|---|
| E01-7 | 37073-Y2V0110-0000 | 弹簧卡圈 | CLIP, SPRING | 4 |
| E01-8 | 90208-YB00410-0000 | 六角台阶螺栓 | BOLT | 6 |
| E01-9 | 90208-YB00410-0000 | 六角台阶螺栓 | BOLT | 2 |
| E01-10 | 82007-YB00110-Q200 | 装饰盖 | COVER, DECORATED | 1 |

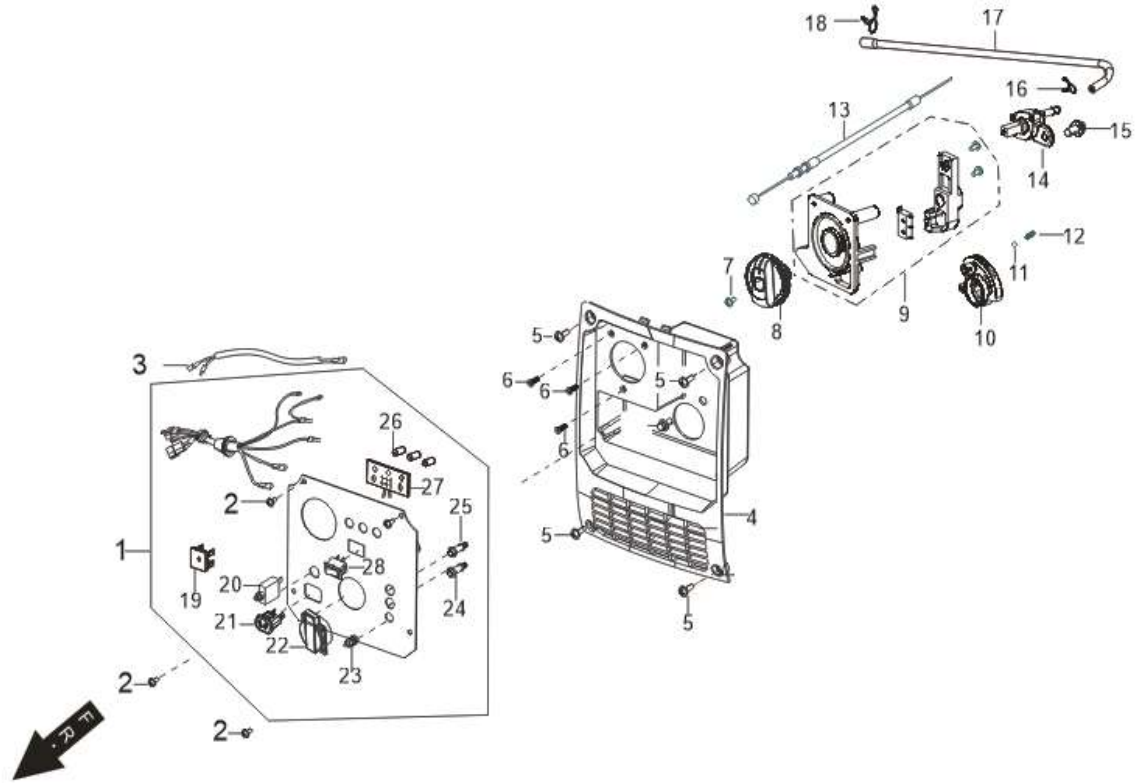
FIG.2 TANK, FUEL 油箱 (F03)



| REF.NO. 序号 | PART NO 物料代码 | CHINESE 中文名 | DESCRIPTION 英文名 | Q'TY 数量 |
|---------------|--------------------|----------------|--------------------|------------|
| F03-1 | 16620-YB00210-Q200 | 油箱 | TANK, FUEL | 1 |
| F03-2 | 16652-Y5V0110-0000 | 燃油滤网 | STRAINER, FUEL | 1 |
| F03-3 | 16730-YB00110-Q200 | 油箱盖 | COVER, FUEL TANK | 1 |
| F03-4 | 90683-Y2V0110-0000 | 衬套 | BUSH | 2 |
| F03-5 | 16514-Y2V0110-0000 | 过滤器滤芯 | ELEMENT, STRAINER | 1 |
| F03-6 | 90686-YB00210-0000 | 油管 | TUBE, FUEL | 1 |
| F03-7 | 90685-Y2V0110-0000 | 管夹 | CLAMP | 1 |

| | | | | |
|-------|--------------------|----|-------|---|
| F03-8 | 90685-Z030220-0000 | 管夹 | CLAMP | 1 |
|-------|--------------------|----|-------|---|

FIG.3 控制面板组件、面板座(F05)

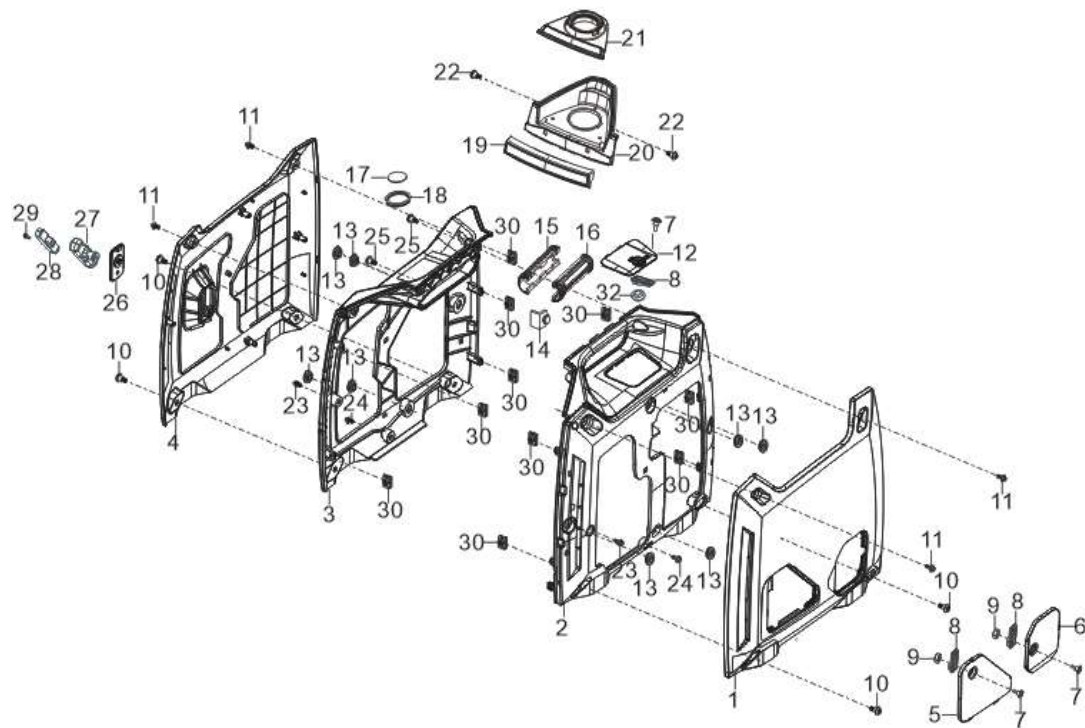


| REF.NO. 序号 | PART NO 物料代码 | CHINESE 中文名 | DESCRIPTION 英文名 | Q'TY 数量 |
|---------------|-----------------|----------------|--------------------|------------|
|---------------|-----------------|----------------|--------------------|------------|

| | | | | |
|--------|--------------------|-----------|----------------------------------|---|
| F05-1 | 35610-YC41110-H300 | 控制面板组合 | PANEL SUBASSEMBLY, CONTROL | 1 |
| F05-2 | 90134-YB00110-0000 | 十字六角头带盘螺栓 | bolt | 4 |
| F05-3 | 35660-YB00220-0000 | 控制面板线束 | HARNESS, CONTROL PANEL WIRING | 1 |
| F05-4 | 35680-YB00110-Q200 | 面板座 | SEAT, PANEL | 1 |
| F05-5 | 90208-YB00410-0000 | 六角台阶螺栓 | BOLT | 4 |
| F05-6 | 90129-0416-01 | 十字槽沉头自攻螺钉 | SCREW | 3 |
| F05-7 | 90103-0416-51 | 十字槽盘头螺钉 | SCREW | 1 |
| F05-8 | 35643-Y2V0210-Q200 | 旋钮 | KNOB | 1 |
| F05-9 | 35160-YB00110-0000 | 开关组合件 | SWITCH SUBASSEMBLY | 1 |
| F05-10 | 94111-Y2V0410-0000 | 盖板 | SWITCH SUBASSEMBLY | 1 |
| F05-11 | 90543-0500-00 | 钢球 | BALL, STEEL | 1 |
| F05-12 | 16527-Y2V0210-0000 | 限位调节弹簧 | SPRING, STOPPER ADJUSTING | 1 |
| F05-13 | 16080-Y2V0110-0000 | 阻风门拉手组合 | HANDLE SUBASSEMBLY, CHOKE | 1 |
| F05-14 | 16750-Y2V0140-0000 | 油开关组合 | COCK ASSY, FUEL | 1 |
| F05-15 | 90001-0612-01 | 六角法兰面螺栓 | BOLT | 1 |
| F05-16 | 90685-Z030220-0000 | 管夹 | CLAMP | 1 |
| F05-17 | 90686-YB00310-0000 | 油管 | TUBE, FUEL | 1 |
| F05-18 | 90685-Z020110-0000 | 管夹 | CLAMP | 1 |
| F05-19 | 35621-Y2V0110-0000 | 整流桥 | BRIDGE, RECTIFICATION | 3 |
| F05-20 | 31234-Y020110-0000 | 过流保护器 | PROTECTOR, OVERCURRENT | 1 |
| F05-21 | 35619-Y2V0110-0000 | 直流插座组合 | SOCKET SUBASSEMBLY, D.C | 1 |
| F05-22 | 35614-Y020110-0000 | 电源插座组合 | SOCKET SUBASSEMBLY, POWER SUPPLY | 1 |
| F05-23 | 35629-YB00110-0000 | 接地端子组合 | TERMINAL SUBASSEMBLY, GROUND | 1 |
| F05-24 | 35614-Y2P0310-0000 | 并网插座 | PARALLEL SOCKET , POWER SUPPLY | 1 |
| F05-25 | 35614-Y2P0210-0000 | 并网插座 | PARALLEL SOCKET , POWER SUPPLY | 1 |
| F05-26 | 37099-Y2V0110-0000 | 指示灯安装座 | Indicator seat | 1 |

| | | | | |
|--------|--------------------|---------|--------------------|---|
| F05-27 | 35620-YAY0110-0000 | 状态显示板总成 | Indicator assy | 2 |
| F05-28 | 35160-Y0G0110-0000 | 开关组合件 | SWITCH SUBASSEMBLY | 1 |

FIG.4 外壳、装饰板(F31)

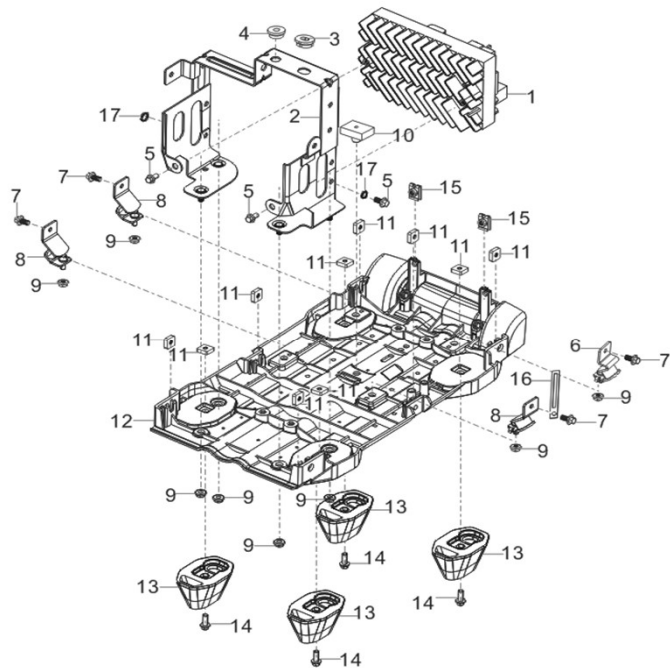


| REF.NO. 序号 | PART NO 物料代码 | CHINESE 中文名 | DESCRIPTION 英文名 | Q'TY 数量 |
|---------------|--------------------|----------------|--------------------|------------|
| F31-1 | 80096HYB00110-WM00 | 右外观盖板 | COVER BOARD, RIGHT | 1 |
| F31-2 | 80095HYB00110-Q200 | 右外壳 | SHELL, RIGHT | 1 |
| F31-3 | 80091HYB00110-Q200 | 左外壳 | SHELL, LEFT | 1 |

| | | | | |
|--------|--------------------|------------|---------------------------------|---|
| F31-4 | 80092HYB00110-WM00 | 左外观盖板 | COVER BOARD, LEFT | 1 |
| F31-5 | 82036HYB00110-WM00 | 左侧盖 | COVER, LEFT SIDE | 1 |
| F31-6 | 82061HYB00110-WM00 | 右侧盖 | COVER, RIGHT SIDE | 1 |
| F31-7 | 90208-Y9T0120-0000 | 六角台阶螺栓 | BOLT | 3 |
| F31-8 | 24329-Y9T0120-Q200 | 挡块 | LEVER | 3 |
| F31-9 | 90341-YA50110-0000 | 尼龙螺母 | NUT | 2 |
| F31-10 | 90208-YB00110-0000 | 六角台阶螺栓 | BOLT | 4 |
| F31-11 | 90208-YB00210-0000 | 六角台阶螺栓 | BOLT | 4 |
| F31-12 | 80102HYB00110-Q200 | 火花塞维修门 | REPAIR DOOR,SPARK PLUG | 1 |
| F31-13 | 16601-Y2V0210-0000 | 油箱支撑胶套 | SLEEVE, FUEL TANK RUBBER | 8 |
| F31-14 | 50033-Y2V0110-0000 | 发动机上悬挂缓冲胶垫 | CUSHION, ENGINE UPPER SUSPE | 1 |
| F31-15 | 54101-YB00210-Q200 | 手把胶套 | SLEEVE, HANDLE RUBBER | 1 |
| F31-16 | 54101-YB00310-Q200 | 手把胶套 | SLEEVE, HANDLE RUBBER | 1 |
| F31-17 | 37205-Y2V0310-0000 | 油标玻璃窗 | OPENING, OIL LEVERLER VIEW | 1 |
| F31-18 | 30431-YB00110-0000 | 橡胶护套 | JACKET, RUBBER | 1 |
| F31-19 | 80023-YB00110-Q200 | 前面板装饰板 | PLATE, FRONT PANEL DECORATI | 1 |
| F31-20 | 80094-YB00210-Q200 | 前外观盖板 | COVER BOARD, FRONT | 1 |
| F31-21 | 16641-YB00110-0000 | 注油口胶套 | SLEEVE, FILLING OIL HOLE RUBBER | 1 |
| F31-22 | 90208-YB00210-0000 | 六角台阶螺栓 | BOLT | 2 |
| F31-23 | 90001-0612-01 | 六角法兰面螺栓 | BOLT | 2 |
| F31-24 | 90001-0616-01 | 六角法兰面螺栓 | BOLT | 2 |
| F31-25 | 90208-YB00410-0000 | 六角台阶螺栓 | BOLT | 2 |
| F31-26 | 28004-YB00110-Q200 | 起动拉绳导向板 | GUIDE , STARTING ROPE | 1 |
| F31-27 | 28211-YB00120-0000 | 拉绳手柄外套 | SLEEVE, CABLE HANDLE OUTER | 1 |
| F31-28 | 28212-YB00120-Q200 | 拉绳手柄芯 | CORE, CABLE HANDLE | 1 |

| | | | | |
|--------|--------------------|---------|--------------|----|
| F31-29 | 90104-0512-53 | 十字槽沉头螺钉 | BOLT | 1 |
| F31-30 | 17199-YB00110-0000 | 夹片螺母 | NUT | 10 |
| F31-32 | 37073-Y2V0110-0000 | 弹簧卡圈 | CLIP, SPRING | 1 |

FIG.5 底板、逆变器、逆变器安装架(F32)



| REF.NO. 序号 | PART NO 物料代码 | CHINESE 中文名 | DESCRIPTION 英文名 | Q'TY 数量 |
|---------------|--------------------|----------------|----------------------------|------------|
| F32-1 | 30043-YC40310-0000 | 逆变器 | INVERTOR | 1 |
| F32-2 | 30081-YB00110-H700 | 逆变器安装架 | ASSEMBLING FRAME, INVERTER | 1 |
| F32-3 | 16601-Y2V0210-0000 | 油箱支撑胶套 | SLEEVE, FUEL TANK RUBBER | 1 |
| F32-4 | 16601-Y2V0110-0000 | 油箱支撑胶套 | SLEEVE, FUEL TANK RUBBER | 1 |
| F32-5 | 90001-0612-01 | 六角法兰面螺栓-小系列 | BOLT | 3 |

| | | | | |
|--------|--------------------|-------------|------------------------------|----|
| F32-6 | 51005HYB00110-0000 | 机架减震垫 | CUSHION, ENGINE FRAME | 1 |
| F32-7 | 90001-0614-01 | 六角法兰面螺栓-小系列 | BOLT | 4 |
| F32-8 | 51005-Y2V0110-0000 | 机架减震垫 | CUSHION, ENGINE FRAME | 3 |
| F32-9 | 90305-0600-31 | 六角法兰面螺母 | NUT | 8 |
| F32-10 | 50035-YB00110-0000 | 缓冲胶垫支撑 | BRACKET, CUSHION RUBBER | 1 |
| F32-11 | 90326-Y2V0110-0000 | 方螺母 | squre nut | 10 |
| F32-12 | 51143HYB00110-Q200 | 底板 | PLATE, BOTTOM | 1 |
| F32-13 | 51014HYB00110-0000 | 机架减震座 | SEAT, ENGINE FRAME SHOCK ABS | 4 |
| F32-14 | 90001-0616-01 | 六角法兰面螺栓-小系列 | BOLT | 4 |
| F32-15 | 17199-YB00110-0000 | 夹片螺母 | NUT | 2 |
| F32-16 | 90684-Z030120-0000 | 线夹 | CLIP | 1 |
| F32-17 | 90415-0600-Z1 | 外锯齿锁紧垫圈 | WASHER,SERRATED LOCK EXTERN | 2 |