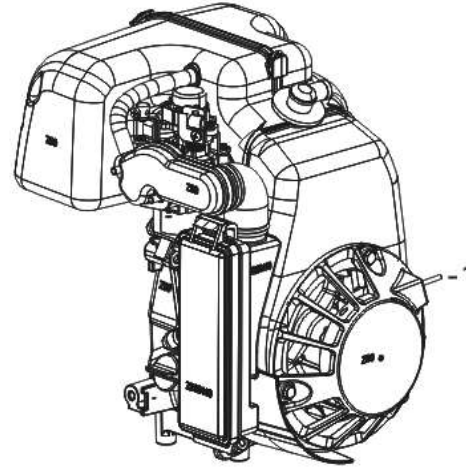


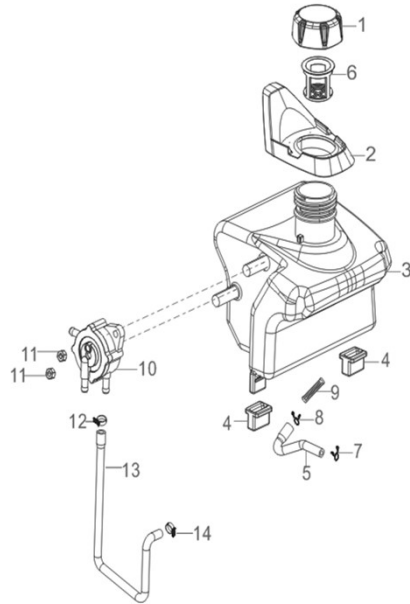
R1250IS-3 变频发电机图册

FIG.1 ENGINE(E01)



REF.NO. 序号	PART NO 物料代码	CHINESE 中文名	DESCRIPTION 英文名	Q'TY 数量	包装数	备注
E01-1	R60MI0000FC-GIA001	发动机	ENGINE	1	1	

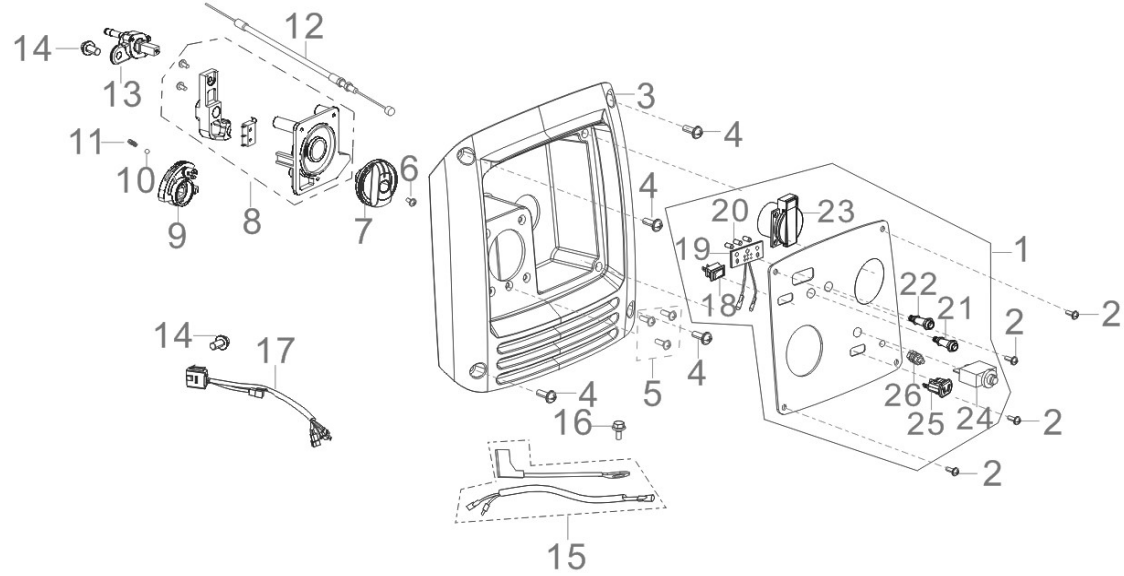
FIG.2 TANK, FUEL 油箱 (F03)



REF.NO. 序号	PART NO 物料代码	CHINESE 中文名	DESCRIPTION 英文名	Q'TY 数量	包装数	备注
F03-1	16730-YB00110-Q200	油箱盖	COVER, FUEL TANK	1	1	
F03-2	16641-YBF0110-0000	注油口胶套	SLEEVE, FILLING OIL HOLE RUBBER	1	1	
F03-3	16620-YBF0110-Q200	油箱	TANK, FUEL	1	1	
F03-4	16601-Y9T0110-0000	油箱支撑胶套	SLEEVE, FUEL TANK RUBBER	2	1	
F03-5	90686-Y9T0110-0000	油管	TUBE, FUEL	1	1	
F03-6	16652-Y9T0110-0000	燃油滤网	STRAINER, FUEL	1	1	
F03-7	90685-Z030220-0000	管夹	CLAMP	1	1	
F03-8	90685-Z030410-0000	管夹	CLAMP	1	1	
F03-9	16514-Y2V0110-0000	过滤器滤芯	ELEMENT, STRAINER	1	1	
F03-10	16300-Z130120-0000	汽油泵部件	PUMP ASSY, GASOLINE	1	1	
F03-11	90305-0500-31	六角法兰面螺母	NUT	1	1	
F03-12	90685-Z020110-0000	管夹	CLAMP	1	1	
F03-13	90686-Y9T0210-0000	油管	TUBE, FUEL	1	1	

F03-14	90685-Z030220-0000	管夹	CLAMP	1	1	
--------	--------------------	----	-------	---	---	--

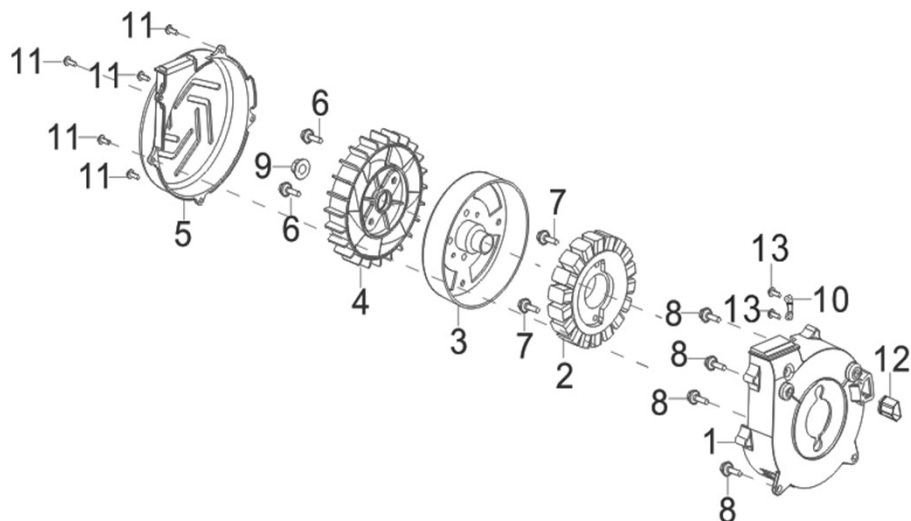
FIG.3 控制面板组件、面板座 (F05)



REF.NO. 序号	PART NO 物料代码	CHINESE 中文名	DESCRIPTION 英文名	Q'TY 数量	包装数	备注
F05-1	35610-YC51010-H300	控制面板组合	PANEL SUBASSEMBLY, CONTROL	1	1	
F05-2	90134-YB00110-0000	十字六角头带盘螺栓	bolt	4	1	
F05-3	35680HYBF0110-Q200	面板座	SEAT, PANEL	1	1	
F05-4	90208-YB00410-0000	六角台阶螺栓	BOLT	4	1	
F05-5	90129-0416-01	十字槽沉头自攻螺钉	SCREW	3	1	
F05-6	90103-0416-51	十字槽盘头螺钉	SCREW	1	1	
F05-7	35643-Y2V0210-Q200	旋钮	KNOB	1	1	
F05-8	35160-YBF0110-0000	开关组合件	SWITCH SUBASSEMBLY	1	1	
F05-9	94111-Y2V0410-0000	盖板	SWITCH SUBASSEMBLY	1	1	
F05-10	90543-0500-00	钢球	BALL, STEEL	1	1	
F05-11	16527-Y2V0210-0000	限位调节弹簧	SPRING, STOPPER ADJUSTING	1	1	
F05-12	16080-YBF0110-0000	阻风门拉手组合	HANDLE SUBASSEMBLY, CHOKE	1	1	
F05-13	16750-Y2V0140-0000	油开关组合	COCK ASSY, FUEL	1	1	

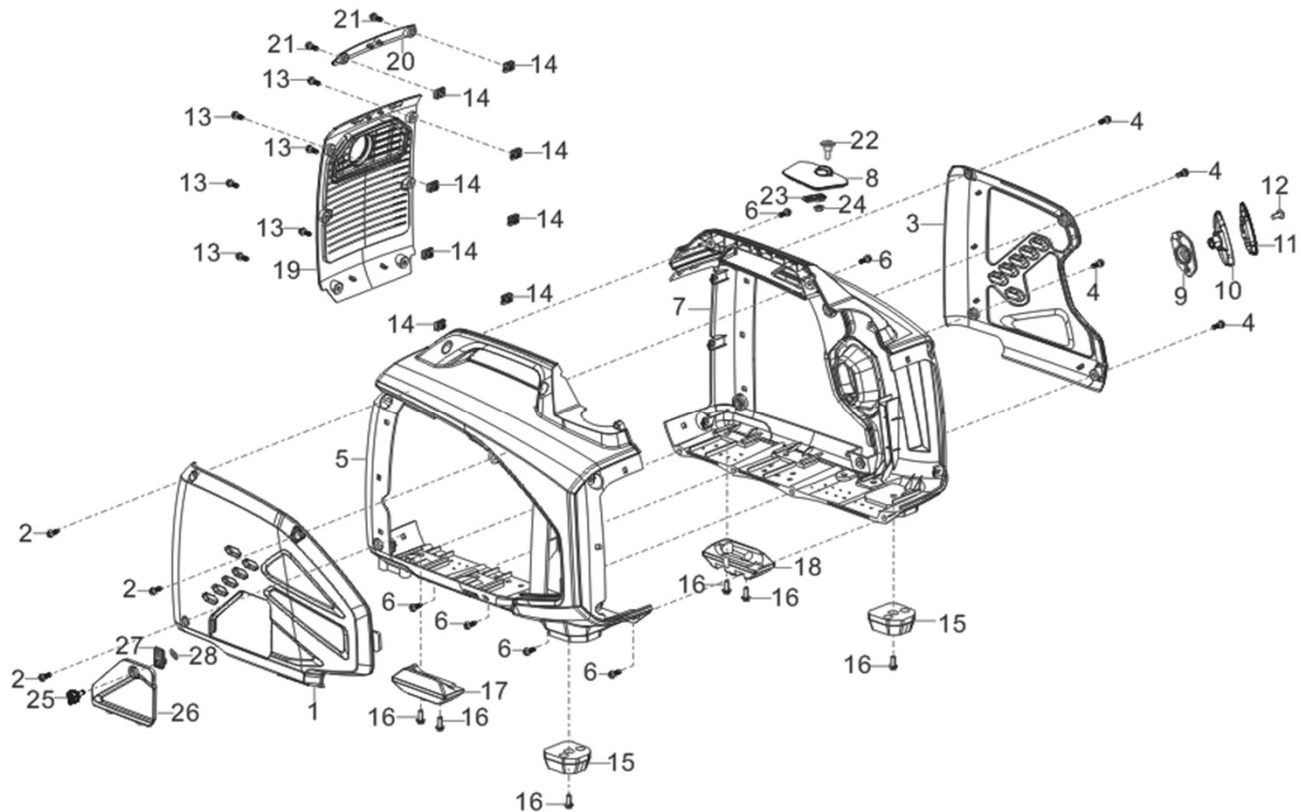
F05-14	90001-0614-01	六角法兰面螺栓	BOLT	2	1	
F05-15	35660-YC50110-0000	控制面板线束	HARNESS, CONTROL PANEL WIRING	1	1	
F05-16	90001-0614-01	六角法兰面螺栓	BOLT	1	1	
F05-17	30060-YBF0110-0000	调压器	REGULATOR, VOLTAGE	1	1	
F05-18	35160-Y0G0110-0000	怠速开关	idle switch	1	1	
F05-19	35620-YAY0110-0000	状态显示板总成	Indicator assy	1	1	
F05-20	37099-Y2V0110-0000	指示灯安装座	Indicator seat	3	1	
F05-21	35614-Y2P0210-0000	并网插座红	parallel socket red	1	1	
F05-22	35614-Y2P0310-0000	并网插座黑	parallel socket black	1	1	
F05-23	35614-Y020110-0000	电源插座组合	SOCKET SUBASSEMBLY, POWER SUPPLY	1	1	
F05-24	31234-YAY0110-0000	过流保护器	PROTECTOR, OVERCURRENT	1	1	
F05-25	35619-Y2V0110-0000	直流插座组合	SOCKET SUBASSEMBLY, D.C	1	1	
F05-26	35629-Y2V0110-0000	接地端子组合	TERMINAL SUBASSEMBLY, GROUNDING	1	1	

FIG.4 ROTOR/STATOR 电机组件 (F06)



REF.NO. 序号	PART NO 物料代码	CHINESE 中文名	DESCRIPTION 英文名	Q'TY 数量	包装数	备注
F06-1	30024-Y9T0120-Q200	电机导风罩	SHROUD, MOTOR	1	1	

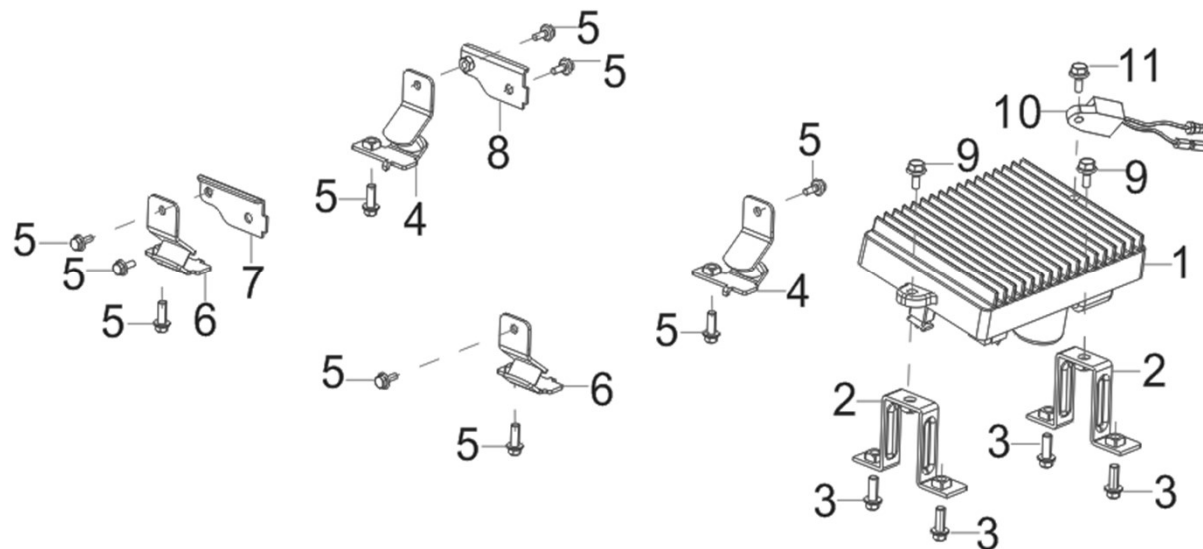
F06-2	30120-YC50110-0000	磁电机定子组合	STATOR SUBASSEMBLY, MAGNETO	1	1	
F06-3	30110-Y9T0110-0000	磁电机转子壳体组合	CASE SUBASSEMBLY, MAGNETO ROTOR	1	1	
F06-4	19352-Y9T0110-Q200	叶轮	IMPELLER	1	1	
F06-5	28104-Y9T0110-Q200	导风罩上盖	COVER, SHROUD UPPER	1	1	
F06-6	90001-0610-01	六角法兰面螺栓	BOLT	2	1	
F06-7	90001-0525-01	六角法兰面螺栓	BOLT	2	1	
F06-8	90007-0512-A1	六角法兰面螺栓	BOLT	4	1	
F06-9	90306-1000-31	六角法兰面螺母	NUT	1	1	
F06-10	54066-Y9T0120-0100	压线板	CLAMP	1	1	
F06-11	90124-Y9T0510-51	十字槽盘头自攻螺钉	SCREW	5	1	
F06-12	80155-Y9T0110-0000	胶套	rubber	1	1	
F06-13	90129-0310-01	十字槽沉头自攻螺钉	SCREW	2	1	
FIG.5 外壳、装饰板 (F31)						



REF.NO. 序号	PART NO 物料代码	CHINESE 中文名	DESCRIPTION 英文名	Q'TY 数量	包装数	备注
F31-1	80092HYBF0110-Q200	左外观盖板	COVER BOARD, LEFT	1	1	
F31-2	90208-YB00210-0000	六角台阶螺栓	BOLT	3	1	
F31-3	80096HYBF0110-Q200	右外观盖板	COVER BOARD, RIGHT	1	1	
F31-4	90208-YB00210-0000	六角台阶螺栓	BOLT	4	1	
F31-5	80091HYBF0110-WM00	左外壳	SHELL, LEFT	1	1	
F31-6	90208-YB00210-0000	十字槽小盘头螺钉和平垫圈组合件	bolt+washer set	6	1	
F31-7	80095HYBF0110-WM00	右外壳	SHELL, RIGHT	1	1	
F31-8	80102HYBF0110-WM00	火花塞维修门	REPAIR DOOR, SPARK PLUG	1	1	
F31-9	28004-YBF0110-Q200	起动拉绳导向板组合	GUIDE SUBAS, STARTING ROPE	1	1	
F31-10	28211-YB00120-0000	拉绳手柄外套	SLEEVE, CABLE HANDLE OUTER	1	1	

F31-11	28212-YB00120-Q200	拉绳手柄芯	CORE, CABLE HANDLE	1	1	
F31-12	90105-0512-53	十字槽沉头螺钉	BOLT	1	1	
F31-13	90208-YB00310-0000	六角台阶螺栓	BOLT	6	1	
F31-14	17199-Y2V0110-0000	夹片螺母	NUT	8	1	
F31-15	51014-YBF0110-0000	机架减震垫	CUSHION, ENGINE FRAME	2	1	
F31-16	90134-YB00110-0000	十字六角头带盘螺栓	bolt	6	1	
F31-17	51014-YBF0210-0000	机架减震垫 (左)	frame absorber left	1	1	
F31-18	51014-YBF0310-0000	机架减震垫 (右)	frame absorber right	1	1	
F31-19	18002HYBF0110-Q200	消声器边罩	COVER, MUFFLER SIDE	1	1	
F31-20	88000-YBF0110-SR00	标牌	plate	1	1	
F31-21	90208-YB00310-0000	六角台阶螺栓	BOLT	2	1	
F31-22	90208-Y9T0120-0000	六角台阶螺栓	BOLT	1	1	
F31-23	24329-Y9T0120-Q200	挡块	LEVER	1	1	
F31-24	90341-YA50110-0000	尼龙螺母	NUT	1	1	
F31-25	90208-Y9T0120-0000	六角台阶螺栓	BOLT	1	1	
F31-26	51196HYBF0110-Q200	左维修门	maintenance door	1	1	
F31-27	24329-Y9T0120-Q200	挡块	LEVER	1	1	
F31-28	90341-YA50110-0000	尼龙螺母	NUT	1	1	

FIG.6 底板、逆变器、逆变器安装架 (F32)



REF.NO. 序号	PART NO 物料代码	CHINESE 中文名	DESCRIPTION 英文名	Q'TY 数量	包装数	备注
F32-1	30043-YAY1210-0000	逆变器	INVERTOR	1	1	
F32-2	30081-Y9T0110-0100	逆变器安装架	ASSEMBLING FRAME, INVERTER	2	1	
F32-3	90001-0616-01	六角法兰面螺栓-小系列	BOLT	4	1	
F32-4	51011HY9T0110-0000	机架右减震垫	CUSHION, ENGINE FRAME RIGHT	2	1	
F32-5	90001-0612-01	六角法兰面螺栓-小系列	BOLT	10	1	
F32-6	51009HY9T0110-0000	机架左减震垫	CUSHION, ENGINE FRAME LEFT	2	1	
F32-7	51124-Y9T0110-0100	安装支架	fixing bracket	1	1	
F32-8	51124-Y9T0210-0100	安装支架	fixing bracket	1	1	
F32-9	90001-0620-01	六角法兰面螺栓-小系列	BOLT	2	1	
F32-10	37050-Z900110-0000	机油保护器	PROTECTOR, OIL	1	1	
F32-11	90001-0610-01	六角法兰面螺栓	BOLT	1	1	